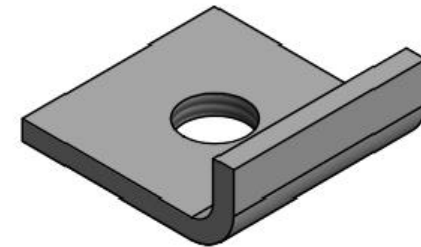
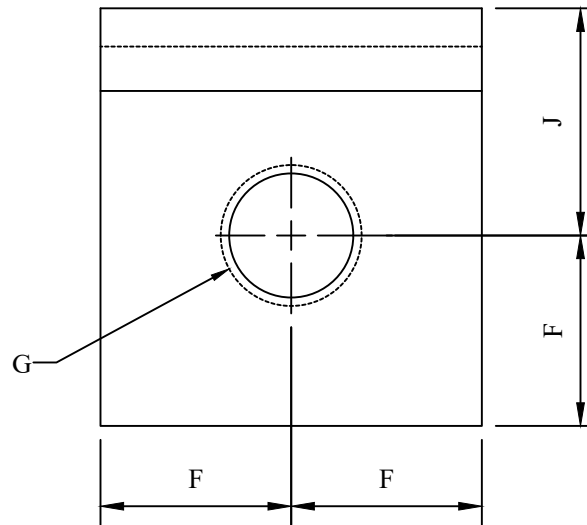
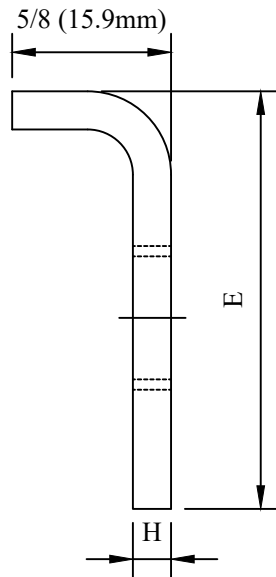


CATALOG NUMBER : 09C3E7N

NOTES:

- 1.MATERIAL: HOT ROLLED STEEL PER ASTM A-36.
- 2.FINISH: HOT DIP GALVANIZE PER ASTM A153(LATEST REVISION).



CATALOG NUMBER	BOLT	"E"	"F"	"G"	"H"	"J"
09C3E7N_1	5/8 (15.9)	2-3/16 (55.6)	1 (25.4)	5/8-11UNC-2B	7 GA.	1-3/16 (30.2)
09C3E7N_2	3/4 (19.1)	3 (76.2)	1-1/2 (38.1)	3/4-10UNC-2B	1/4 (6.4)	1-1/2 (38.1)

DRN BY:	DATA
Ella	12/12/16

LIP WASHER

CONFIDENTIAL THIS DRAWING AND ITS CONTENTS PROPERTY OF TIANJIN TUOFA ELECTRIC POWER TECHNOLOGY CO.,LTD. NO PUBLICATION, DISTRIBUTION OR COPIES MAY BE MADE WITHOUT THE WRITTEN CONSENT OF TIANJIN TUOFA ELECTRIC POWER TECHNOLOGY CO.,LTD. TIANJIN TUOFA ELECTRIC POWER TECHNOLOGY CO.,LTD UNPUBLISHED ALL RIGHTS RESERVED UNDER THE COPYRIGHT LAWS.



TTF POWER TECHNOLOGY CO.