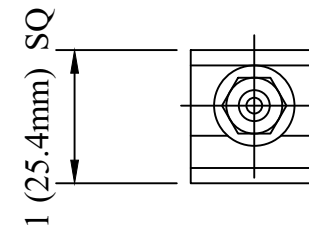
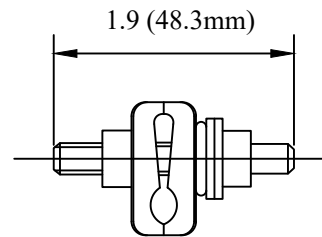
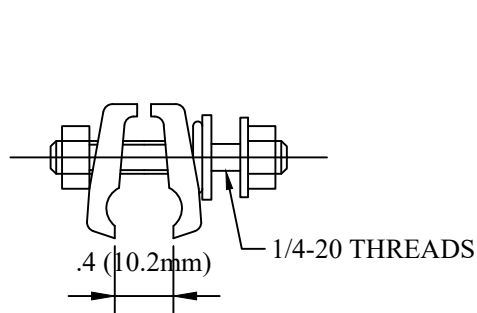


CATALOG NUMBER : 04B9R1W

NOTES:

1. SECURES LASHING WIRE TERMINATION IN AERIAL APPLICATIONS.
2. ACCEPT STRAND SIZE RANGE OF $\frac{1}{4}$ " - $\frac{7}{16}$ ".
3. CLAMP PLATED GALVANIZED STEEL.
4. HARDWARE $\frac{1}{4}$ ", GALVANIZED.
5. THREAD STAKED TO PREVENT LOSS OF NUT.



DRN BY:	DATA
Ella	10/10/16

LASHING WIRE CLAMP

CONFIDENTIAL THIS DRAWING AND ITS CONTENTS PROPERTY OF TIANJIN TUOFA ELECTRIC POWER TECHNOLOGY CO.,LTD. NO PUBLICATION, DISTRIBUTION OR COPIES MAY BE MADE WITHOUT THE WRITTEN CONSENT OF TIANJIN TUOFA ELECTRIC POWER TECHNOLOGY CO.,LTD. TIANJIN TUOFA ELECTRIC POWER TECHNOLOGY CO.,LTD UNPUBLISHED ALL RIGHTS RESERVED UNDER THE COPYRIGHT LAWS.



TTF POWER TECHNOLOGY CO.