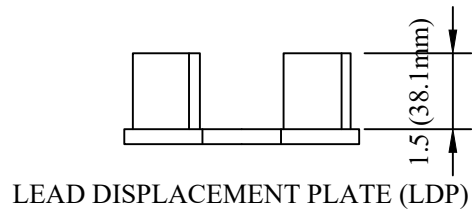
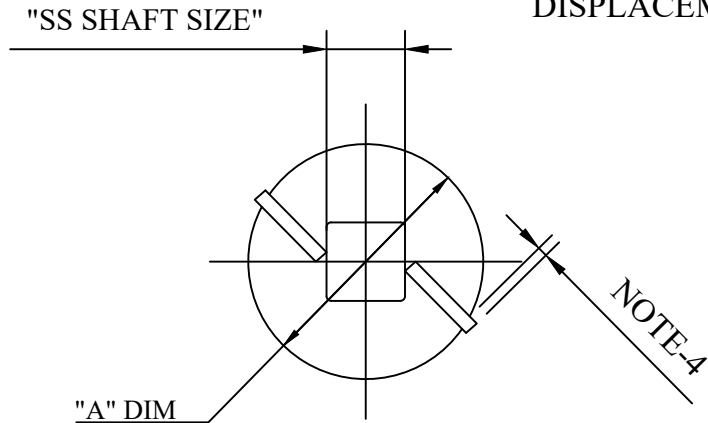
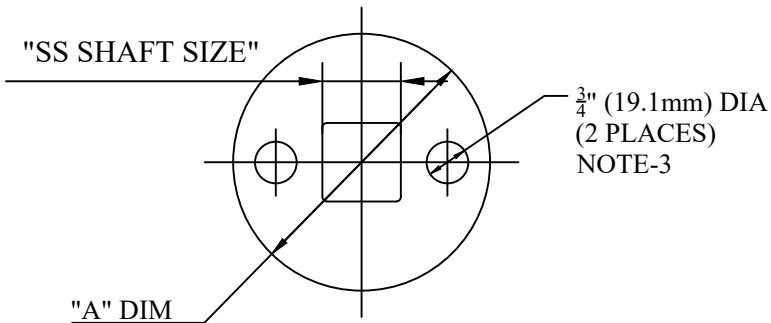


CATALOG NUMBER : 03C8A4Y

DISPLACEMENT PLATE FOR UN-CASED GROUT COLUMNS



LEAD DISPLACEMENT PLATE (LDP)



EXTENSION DISPLACEMENT PLATE (EDP)

NOTES:

1. MATERIAL: $\frac{1}{4}$ " THICK STEEL.
2. $\frac{3}{4}$ " DIA. HOLES LOCATED ON CENTER LINE $\pm \frac{1}{8}$ ".
3. PADDLES OVERHANG OUTSIDE PERIMETER OF PLATE.

LEAD DISPLACEMENT PLATE

CATALOG NUMBER	"A" DIM	SS SHAFT SIZE
03C8A4Y_1	5" (12.7)	1.5" (38.1)
03C8A4Y_2	5" (12.7)	1.75" (44.5)

EXTENSION DISPLACEMENT PLATE

CATALOG NUMBER	"A" DIM	SS SHAFT SIZE
03C8A4Y_3	5" (12.7)	1.5" (38.1)
03C8A4Y_4	5" (12.7)	1.75" (44.5)

DRN BY:	DATA
Ella	10/10/16

HELICAL PULLDOWN
MICROPILE

CONFIDENTIAL THIS DRAWING AND ITS CONTENTS PROPERTY OF TIANJIN TUOFA ELECTRIC POWER TECHNOLOGY CO.,LTD. NO PUBLICATION, DISTRIBUTION OR COPIES MAY BE MADE WITHOUT THE WRITTEN CONSENT OF TIANJIN TUOFA ELECTRIC POWER TECHNOLOGY CO.,LTD. TIANJIN TUOFA ELECTRIC POWER TECHNOLOGY CO.,LTD UNPUBLISHED ALL RIGHTS RESERVED UNDER THE COPYRIGHT LAWS.



TTF POWER TECHNOLOGY CO.