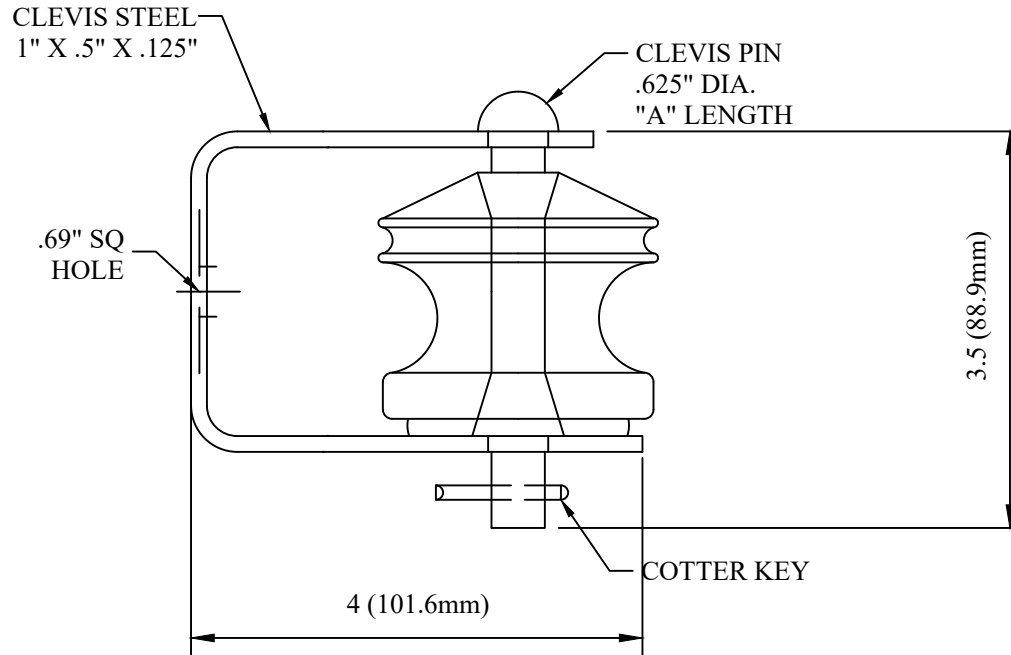


CATALOG NUMBER : 04D3J0W

NOTES:

- 1.MATERIAL: STEEL, HOT DIP GALVANIZE PER ASTM A153(LATEST REV.)
- 2.INSULATOR IS SOLD SEPARATELY FROM CLEVIS.



CATALOG NUMBER	DESCRIPTION	"A"
04D3J0W_1	INSULATOR CLEVIS	4.75" (120.7mm)
04D3J0W_2	INSULATOR CLEVIS	5.25" (133.4mm)

DRN BY:	DATA
Ella	12/12/16

CONFIDENTIAL THIS DRAWING AND ITS CONTENTS PROPERTY OF TIANJIN TUOFA ELECTRIC POWER TECHNOLOGY CO.,LTD. NO PUBLICATION, DISTRIBUTION OR COPIES MAY BE MADE WITHOUT THE WRITTEN CONSENT OF TIANJIN TUOFA ELECTRIC POWER TECHNOLOGY CO.,LTD. TIANJIN TUOFA ELECTRIC POWER TECHNOLOGY CO.,LTD UNPUBLISHED ALL RIGHTS RESERVED UNDER THE COPYRIGHT LAWS.

**GALVANIZED STEEL CLEVIS BRACKET
FOR SPOOL INSULATOR**



TTF POWER TECHNOLOGY CO.