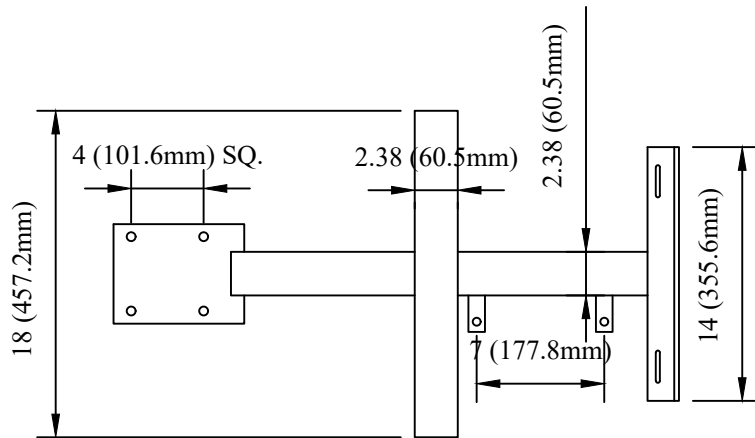
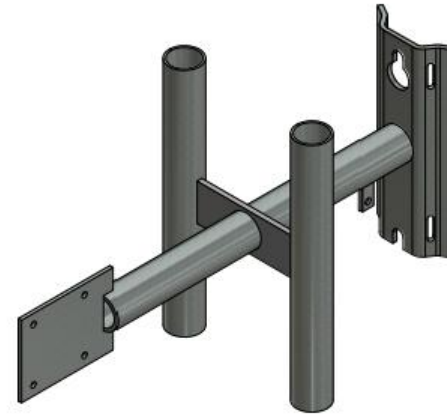
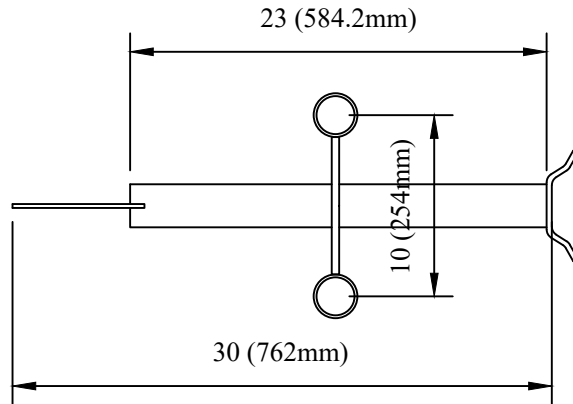


CATALOG NUMBER : 04D2X4X



NOTES:

- 1.MATERIAL: STEEL
- 2.BRACKET CAN BE BANDED OR BOLTED USING 3/4 IN HARDWARE.
- 3.FINISH: HOT DIP GALV. PER ASTM A153.
- 4.WEIGHT: 35 LBS (UNPOPULATED).

DRN BY:	DATA
Ella	10/10/16
<small>CONFIDENTIAL THIS DRAWING AND ITS CONTENTS PROPERTY OF TIANJIN TUOFA ELECTRIC POWER TECHNOLOGY CO.,LTD. NO PUBLICATION, DISTRIBUTION OR COPIES MAY BE MADE WITHOUT THE WRITTEN CONSENT OF TIANJIN TUOFA ELECTRIC POWER TECHNOLOGY CO.,LTD. TIANJIN TUOFA ELECTRIC POWER TECHNOLOGY CO.,LTD UNPUBLISHED ALL RIGHTS RESERVED UNDER THE COPYRIGHT LAWS.</small>	

EXTENSION ARM



TTF POWER TECHNOLOGY CO.