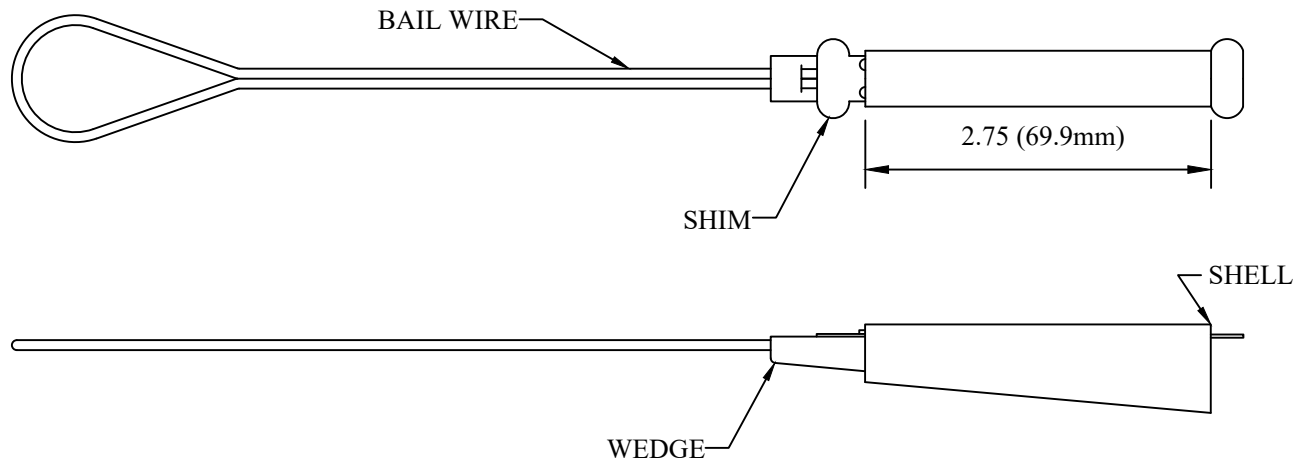


CATALOG NUMBER : 04B9R0D

NOTES:

- 1.WEDGE & SHELL MATERIAL: BLACK POWDER COATED STAINLESS STEEL.
BAIL WIRE AND SHIM MATERIAL: NON-COATED STAINLESS STEEL.
- 2.USED TO ATTACH FLAT FIBER DROP CABLE FROM POLE TO THE HOME/BUILDING.
- 3.ASSEMBLED COMPLETE AS SHOWN.
- 4.DROP CLAMP INCLUDES SERRATED SHIM.



DRN BY:	DATA
Ella	10/10/16

DROP CLAMP

CONFIDENTIAL THIS DRAWING AND ITS CONTENTS PROPERTY OF TIANJIN TUOFA ELECTRIC POWER TECHNOLOGY CO.,LTD. NO PUBLICATION, DISTRIBUTION OR COPIES MAY BE MADE WITHOUT THE WRITTEN CONSENT OF TIANJIN TUOFA ELECTRIC POWER TECHNOLOGY CO.,LTD. TIANJIN TUOFA ELECTRIC POWER TECHNOLOGY CO.,LTD UNPUBLISHED ALL RIGHTS RESERVED UNDER THE COPYRIGHT LAWS.



TTF POWER TECHNOLOGY CO.