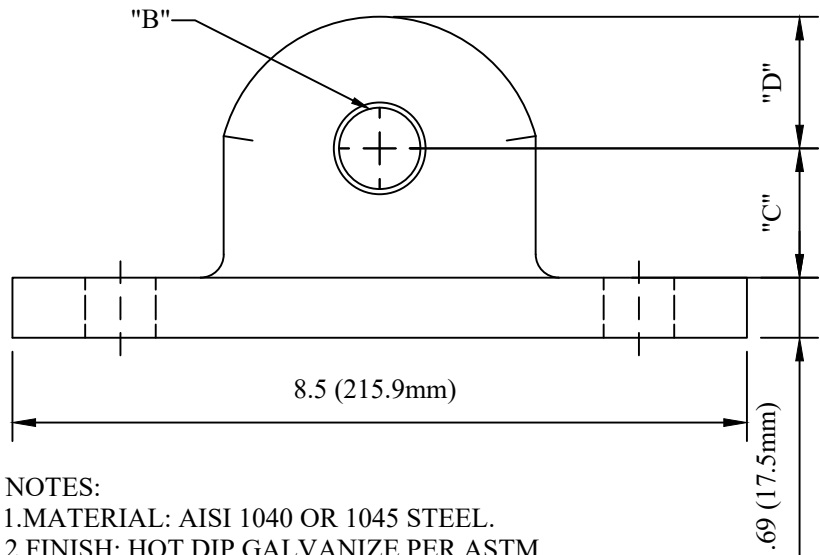
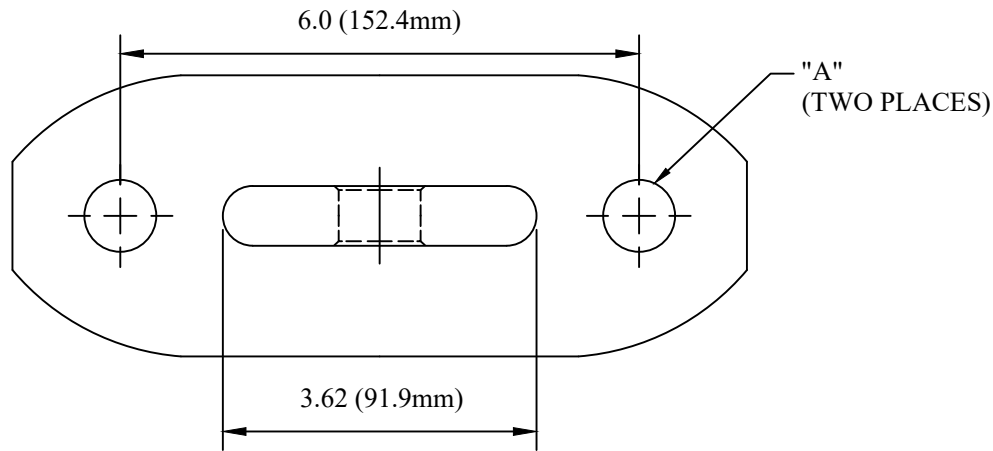
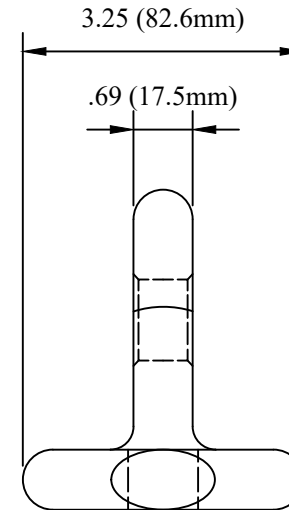
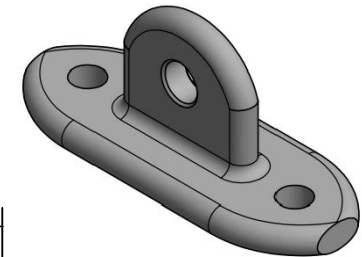


CATALOG NUMBER : 06D1O5V



NOTES:
 1.MATERIAL: AISI 1040 OR 1045 STEEL.
 2.FINISH: HOT DIP GALVANIZE PER ASTM
 A153(LATEST REV.)

CATALOG NUMBER	"A"	"B"	"C"	"D"
06D1O5V_1	0.81 (20.6)	1.25 (31.8)	1.5 (38.1)	1.5 (38.1)
06D1O5V_2	0.94 (23.9)	1.25 (31.8)	1.5 (38.1)	1.5 (38.1)
06D1O5V_3	1.06 (26.9)	1.25 (31.8)	1.5 (38.1)	1.25 (31.8)
06D1O5V_4	0.94 (23.9)	1.13 (28.7)	1.75 (44.5)	1.25 (31.8)
06D1O5V_5	1.06 (26.9)	1.13 (28.7)	1.63 (41.4)	1.38 (35.1)



DRN BY:	DATA
Ella	10/10/16
<small>CONFIDENTIAL THIS DRAWING AND ITS CONTENTS PROPERTY OF TIANJIN TUOFA ELECTRIC POWER TECHNOLOGY CO.,LTD. NO PUBLICATION, DISTRIBUTION OR COPIES MAY BE MADE WITHOUT THE WRITTEN CONSENT OF TIANJIN TUOFA ELECTRIC POWER TECHNOLOGY CO.,LTD. TIANJIN TUOFA ELECTRIC POWER TECHNOLOGY CO.,LTD UNPUBLISHED ALL RIGHTS RESERVED UNDER THE COPYRIGHT LAWS.</small>	

DEADEND TEE



TTF POWER TECHNOLOGY CO.