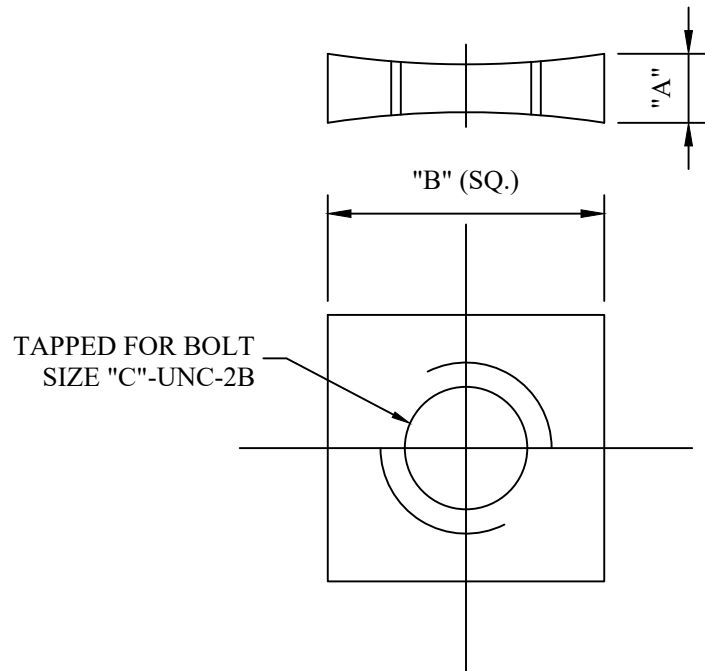


CATALOG NUMBER : 09C2D8A

NOTES:

1.MATERIAL: LOW CARBON STEEL.

2.FINISH: HOT DIP GALVANIZE PER ASTM A153(LATEST REV.)



CATALOG NUMBER	"A"	"B"	"C"
09C2D8A_1	.22 (5.6)	$\frac{5}{8}$ (15.9)	$\frac{3}{8}$ (9.5)
09C2D8A_2	.29 (7.4)	$\frac{13}{16}$ (20.6)	$\frac{1}{2}$ (12.7)
09C2D8A_3	.34 (8.6)	1 (25.4)	$\frac{5}{8}$ (15.9)
09C2D8A_4	.41 (10.4)	$1\frac{1}{8}$ (28.6)	$\frac{3}{4}$ (19.1)
09C2D8A_5	.44 (11.2)	$1\frac{5}{16}$ (33.3)	$\frac{7}{8}$ (22.2)
09C2D8A_6	.47 (11.9)	$1\frac{1}{2}$ (38.1)	1 (25.4)

DRN BY:	DATA
Ella	10/10/16

CURVED LOCK NUT

CONFIDENTIAL THIS DRAWING AND ITS CONTENTS PROPERTY OF TIANJIN TUOFA ELECTRIC POWER TECHNOLOGY CO.,LTD. NO PUBLICATION, DISTRIBUTION OR COPIES MAY BE MADE WITHOUT THE WRITTEN CONSENT OF TIANJIN TUOFA ELECTRIC POWER TECHNOLOGY CO.,LTD. TIANJIN TUOFA ELECTRIC POWER TECHNOLOGY CO.,LTD UNPUBLISHED ALL RIGHTS RESERVED UNDER THE COPYRIGHT LAWS.



TTF POWER TECHNOLOGY CO.