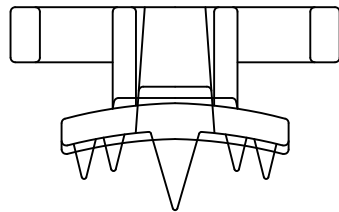
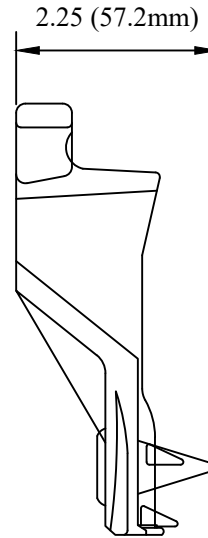
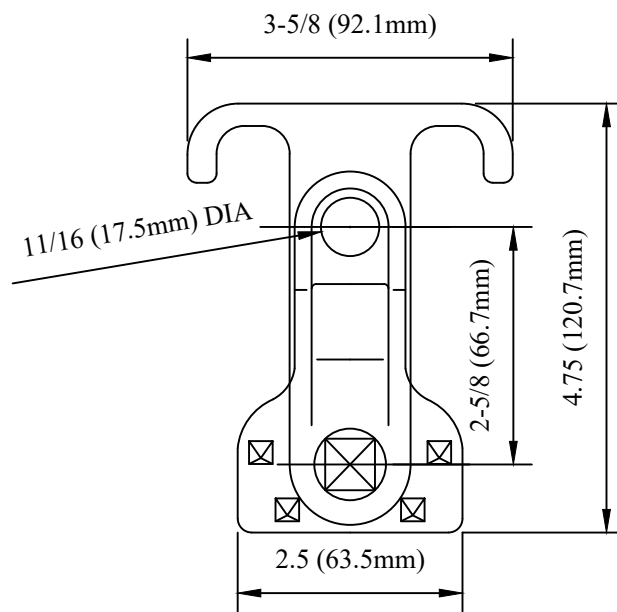


CATALOG NUMBER : 06D5R7F



NOTES:

- 1.MATERIAL: DUCTILE IRON PER ASTM A536(LATEST REV.).
- 2.FINISH: HOT DIP GALVANIZE PER ASTM A153(LATEST REV.)

DRN BY:	DATA
Ella	10/10/16
<small>CONFIDENTIAL THIS DRAWING AND ITS CONTENTS PROPERTY OF TIANJIN TUOFA ELECTRIC POWER TECHNOLOGY CO.,LTD. NO PUBLICATION, DISTRIBUTION OR COPIES MAY BE MADE WITHOUT THE WRITTEN CONSENT OF TIANJIN TUOFA ELECTRIC POWER TECHNOLOGY CO.,LTD. TIANJIN TUOFA ELECTRIC POWER TECHNOLOGY CO.,LTD UNPUBLISHED ALL RIGHTS RESERVED UNDER THE COPYRIGHT LAWS.</small>	

CAST DUCTILE IRON GUY-HOOK ATTACHMENT



TTF POWER TECHNOLOGY CO.