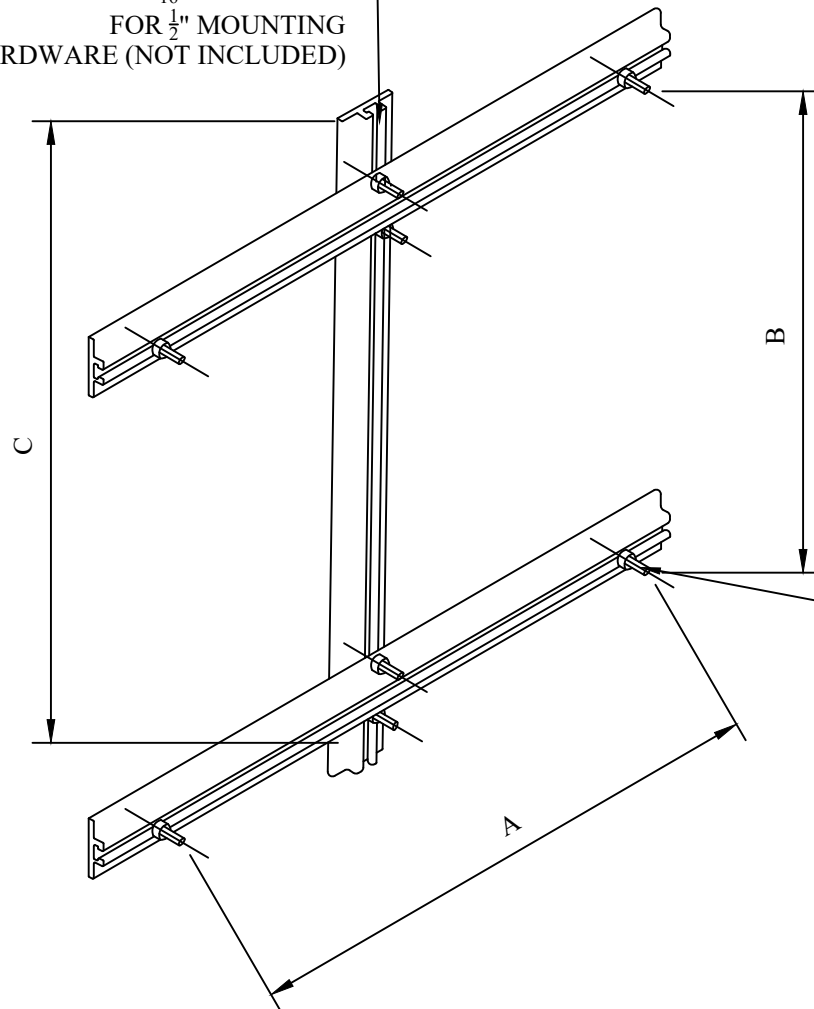


CATALOG NUMBER : 04D7P0F

TWO  $\frac{9}{16}$ " DIA. HOLES  
FOR  $\frac{1}{2}$ " MOUNTING  
HARDWARE (NOT INCLUDED)



NOTES:

1. ALL BRACKET MATERIAL IS ALUMINUM.  
BOLTS, NUT & LOCKWASHERS ARE STAINLESS STEEL.
2. BRACKETS ARE SHIPPED UNASSEMBLED.

CATALOG NUMBER	DESCRIPTION	"A"	"B"	"C"
04D7P0F_1	CABINET MOUNTING BRACKET	1 TO 7-1/4 [22.5 TO 184.2]	2 TO 12 [50.8 TO 304.8]	15-1/8 [384.2]
04D7P0F_2	CABINET MOUNTING BRACKET	1 TO 11-1/4 [22.5 TO 285.8]	2 TO 18 [50.8 TO 457.2]	21-1/8 [536.6]
04D7P0F_3	CABINET MOUNTING BRACKET	1 TO 11-1/4 [22.5 TO 285.8]	2 TO 54 [50.8 TO 1371.6]	57-1/8 [1451]
04D7P0F_4	CABINET MOUNTING BRACKET	1 TO 15-1/4 [22.5 TO 387.4]	2 TO 24 [50.8 TO 609.6]	27-1/8 [689]
04D7P0F_5	CABINET MOUNTING BRACKET	1 TO 17-1/4 [22.5 TO 438.2]	2 TO 30 [50.8 TO 762]	33-1/8 [841.4]
04D7P0F_6	CABINET MOUNTING BRACKET	1 TO 17-1/4 [22.5 TO 438.2]	2 TO 34 [50.8 TO 863.6]	37-1/8 [943]
04D7P0F_7	CABINET MOUNTING BRACKET	1 TO 17-1/4 [22.5 TO 438.2]	2 TO 44 [50.8 TO 1117.6]	47-1/8 [1193.8]
04D7P0F_8	CABINET MOUNTING BRACKET	1 TO 17-1/4 [22.5 TO 438.2]	2 TO 54 [50.8 TO 1371.6]	57-1/8 [1451]

$\frac{1}{4}$ " MOUNTING  
HARDWARE INCLUDED  
WITH EACH BRACKET.

DRN BY:	DATA
Ella	10/10/16
<small>CONFIDENTIAL THIS DRAWING AND ITS CONTENTS PROPERTY OF TIANJIN TUOFA ELECTRIC POWER TECHNOLOGY CO.,LTD. NO PUBLICATION, DISTRIBUTION OR COPIES MAY BE MADE WITHOUT THE WRITTEN CONSENT OF TIANJIN TUOFA ELECTRIC POWER TECHNOLOGY CO.,LTD. TIANJIN TUOFA ELECTRIC POWER TECHNOLOGY CO.,LTD UNPUBLISHED ALL RIGHTS RESERVED UNDER THE COPYRIGHT LAWS.</small>	

CABINET MOUNTING BRACKET



TTF POWER TECHNOLOGY CO.