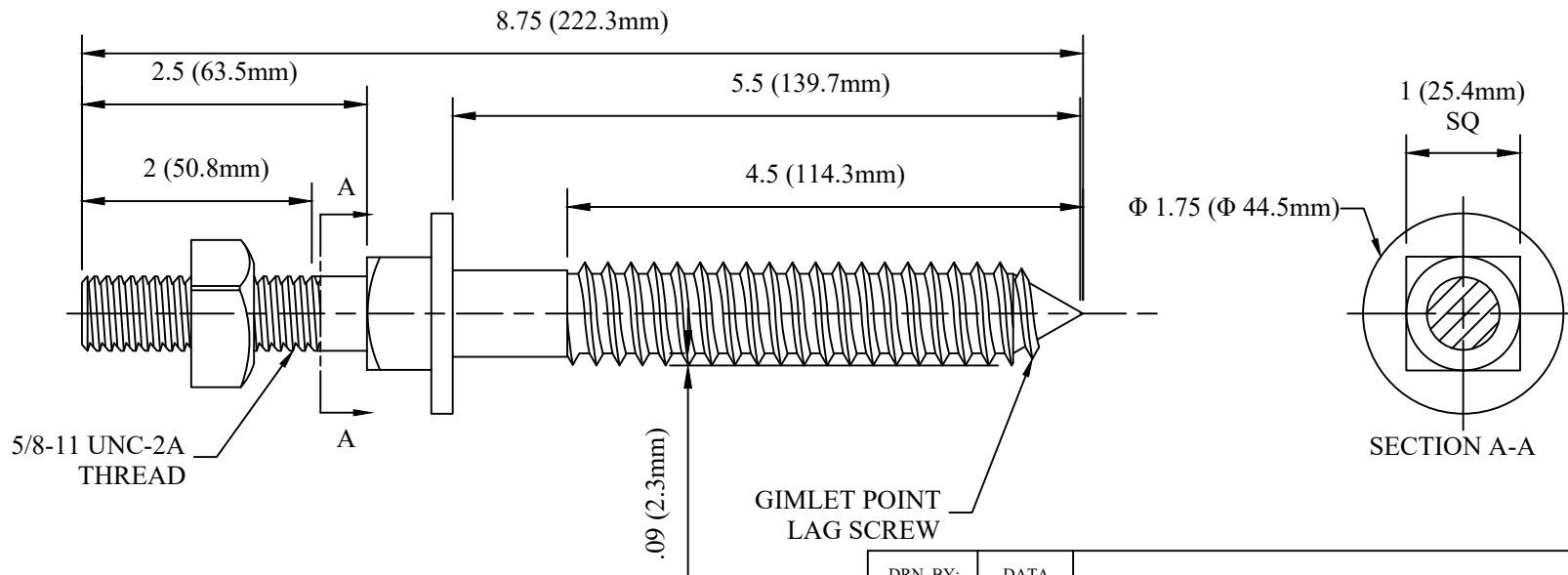
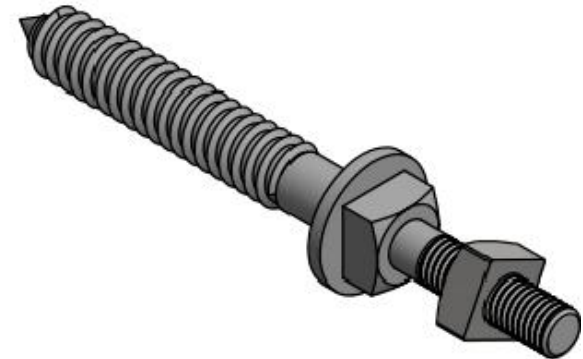


CATALOG NUMBER : 09C6A3K

NOTES:

1. USE FOR LIGHT DUTY MOUNTING OF SUSPENSION CLAMPS OR WHERE A THROUGH BOLT IS NOT POSSIBLE.
2. LAG SCREW PORTION HAS GIMLET THREADS.
3. MACHINE SCREW PORTION HAS  $\frac{5}{8}$ " THREADS WITH ASSEMBLED NUT.
4. STEEL, HOT DIP GALVANIZE PER ASTM A153(LATEST REVISION).



DRN BY:	DATA
Ella	12/12/16
<small>CONFIDENTIAL THIS DRAWING AND ITS CONTENTS PROPERTY OF TIANJIN TUOFA ELECTRIC POWER TECHNOLOGY CO.,LTD. NO PUBLICATION, DISTRIBUTION OR COPIES MAY BE MADE WITHOUT THE WRITTEN CONSENT OF TIANJIN TUOFA ELECTRIC POWER TECHNOLOGY CO.,LTD. TIANJIN TUOFA ELECTRIC POWER TECHNOLOGY CO.,LTD UNPUBLISHED ALL RIGHTS RESERVED UNDER THE COPYRIGHT LAWS.</small>	

B-CABLE SUSPENSION SCREW



TTF POWER TECHNOLOGY CO.