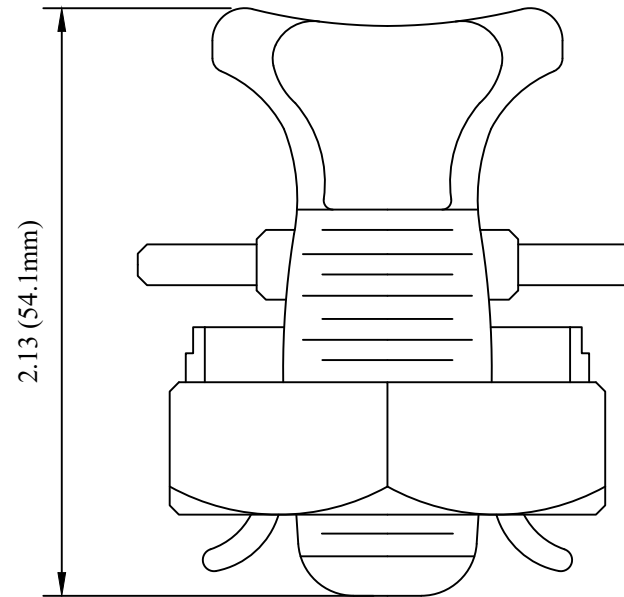
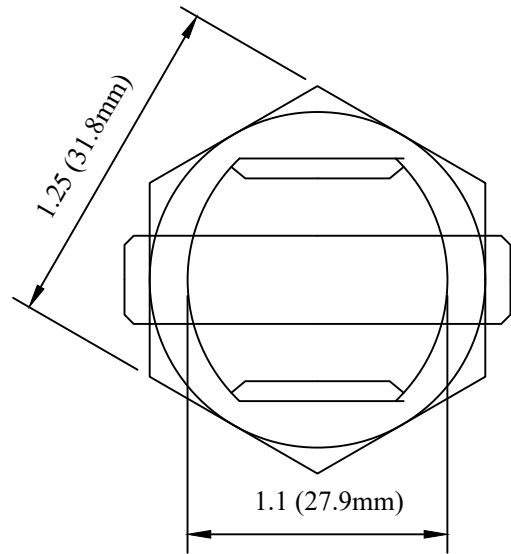


CATALOG NUMBER : 09D139F

PRODUCT DATA & CONDUCTOR SIZE

CONDUCTOR RANGE OF EQUAL MAIN & TAP (AWG OR MCM)		MIN. TAP WITH ONE MAX.MAIN	BOLT SIE	APPROX.WT.EACH LBS.(KG)
MIN.	MAX.			
1	3/0	8	7/8	0.35 (.16)



FOR COPPER TO COPPER CONDUCTORS.

NOTES:

- 1.MATERIAL: COPPER ALLOY, ELECTRO TIN - PLATED.
- 2.OXIDE INHIBITING COMPOUND IS RECOMMENDED FOR USE WITH AI/CU PARALLEL CONNECTORS.
- 3.HEX HEAD DESIGN FOR MAXIMUM TOOL EASE OF USE.

DRN BY:	DATA
Ella	10/08/16

CONNECTOR, SPLIT BOLT, #1-3/0

CONFIDENTIAL THIS DRAWING AND ITS CONTENTS PROPERTY OF TIANJIN TUOFA ELECTRIC POWER TECHNOLOGY CO.,LTD. NO PUBLICATION, DISTRIBUTION OR COPIES MAY BE MADE WITHOUT THE WRITTEN CONSENT OF TIANJIN TUOFA ELECTRIC POWER TECHNOLOGY CO.,LTD. TIANJIN TUOFA ELECTRIC POWER TECHNOLOGY CO.,LTD UNPUBLISHED ALL RIGHTS RESERVED UNDER THE COPYRIGHT LAWS.



TTF POWER TECHNOLOGY CO.