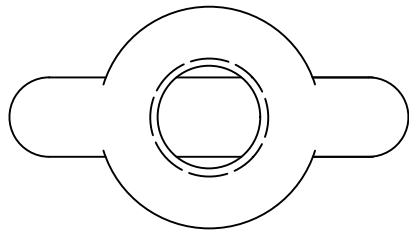
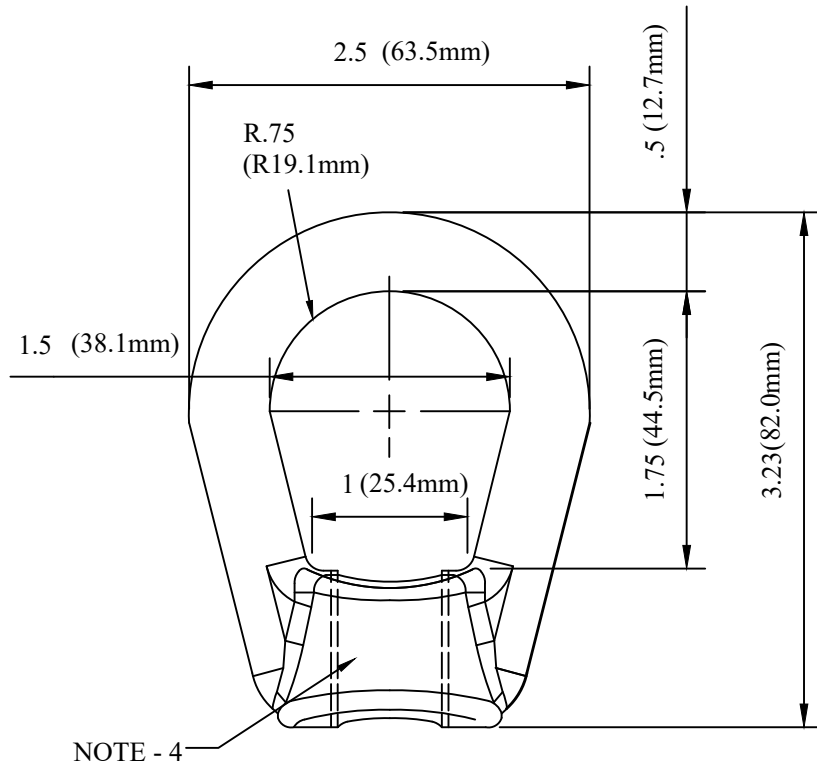
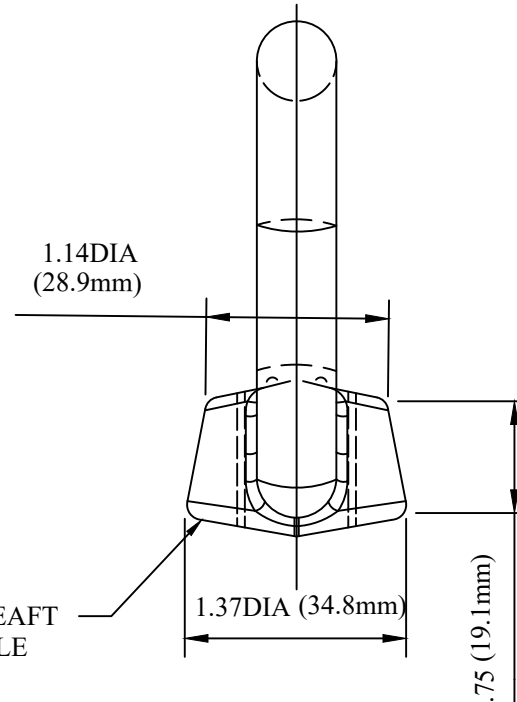


CATALOG NUMBER : 09B139F



NOTES:

- 1.MATERIAL: HOT FORGED STEEL.
- 2.FINISH: HOT DIP GALVANIZE PER ASTM A153(LATEST REV.)
- 3.ALL DIMENSIONS IN INCHES UNLESS OTHERWISE NOTED.
- 4.STRENGTH AND DIMENSIONS PER ANSI/IEE C135.5 INCLUDING THE FOLLOWING:
 - MINIMUM TENSILE STRENGTH OF 12,400 LBS FOR 5/8".
 - MINIMUM TENSILE STRENGTH OF 18,350 LBS FOR 3/4".
- 5.CATALOG NUMBERS WITH A "USA" SUFFIX HAVE ALL COMPONENTS MELTED/MANUFACTURED IN THE USA.



DRN BY:	DATA
DYJ	08/08/16
<small>CONFIDENTIAL THIS DRAWING AND ITS CONTENTS PROPERTY OF TIANJIN TUOFA ELECTRIC POWER TECHNOLOGY CO.,LTD. NO PUBLICATION, DISTRIBUTION OR COPIES MAY BE MADE WITHOUT THE WRITTEN CONSENT OF TIANJIN TUOFA ELECTRIC POWER TECHNOLOGY CO.,LTD. TIANJIN TUOFA ELECTRIC POWER TECHNOLOGY CO.,LTD UNPUBLISHED ALL RIGHTS RESERVED UNDER THE COPYRIGHT LAWS.</small>	

EYENUT, STANDARD, 3/4"



TTF POWER TECHNOLOGY CO.