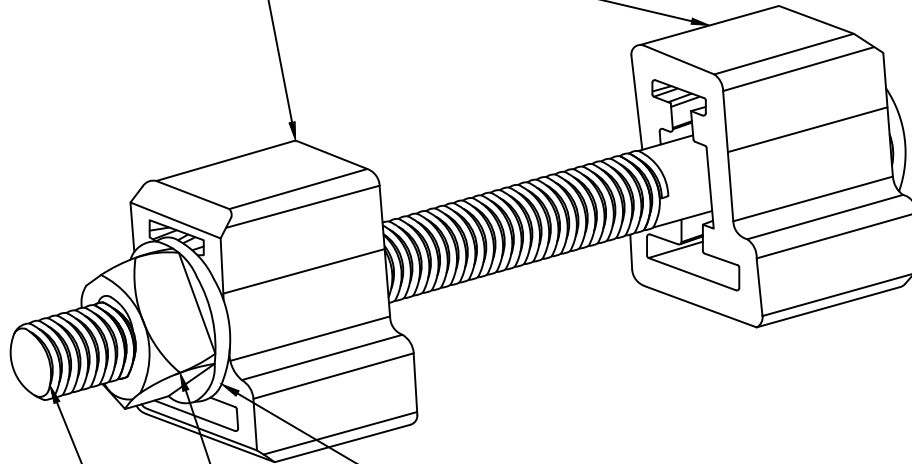


CATALOG NUMBER :06PXCT6

ALIMINUM CLAMP BODY



5/8" X 7-1/2" CARRIAGE BOLT

5/8" SQUARE NUT

5/8" ROUND WASHER

NOTES:
1.ASSEMBLY COMPLETE AS SHOWN.

DRN BY:	DATA
Ella	08/08/16

CONFIDENTIAL THIS DRAWING AND ITS CONTENTS PROPERTY OF TIANJIN TUOFA ELECTRIC POWER TECHNOLOGY CO.,LTD. NO PUBLICATION, DISTRIBUTION OR COPIES MAY BE MADE WITHOUT THE WRITTEN CONSENT OF TIANJIN TUOFA ELECTRIC POWER TECHNOLOGY CO.,LTD. TIANJIN TUOFA ELECTRIC POWER TECHNOLOGY CO.,LTD UNPUBLISHED ALL RIGHTS RESERVED UNDER THE COPYRIGHT LAWS.

ADJUSTABLE BUCKLE FOR 1-1/4IN
STAINLESS STEEL BANDING



TTF POWER TECHNOLOGY CO.