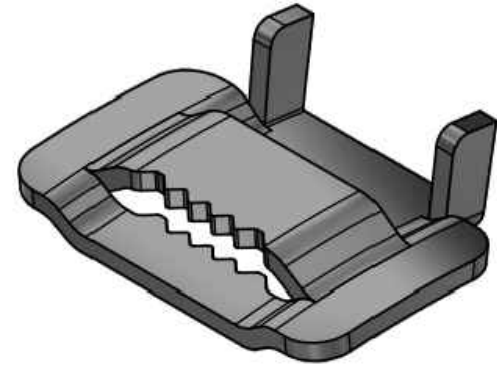
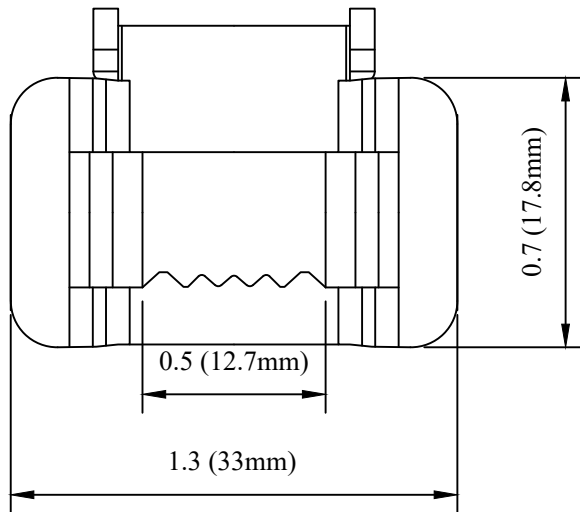
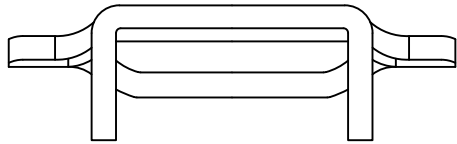


CATALOG NUMBER : 06POVGI



NOTES:
1.MATERIAL: 201STAINLESS STEEL.

DRN BY:	DATA
Ella	10/10/17
CONFIDENTIAL THIS DRAWING AND ITS CONTENTS PROPERTY OF TIANJIN TUOFA ELECTRIC POWER TECHNOLOGY CO.,LTD. NO PUBLICATION, DISTRIBUTION OR COPIES MAY BE MADE WITHOUT THE WRITTEN CONSENT OF TIANJIN TUOFA ELECTRIC POWER TECHNOLOGY CO.,LTD. TIANJIN TUOFA ELECTRIC POWER TECHNOLOGY CO.,LTD UNPUBLISHED ALL RIGHTS RESERVED UNDER THE COPYRIGHT LAWS.	

201 STAINLESS STEEL BUCKLE FOR
1/2IN STAINLESS STEEL BANDING



TTF POWER TECHNOLOGY CO.