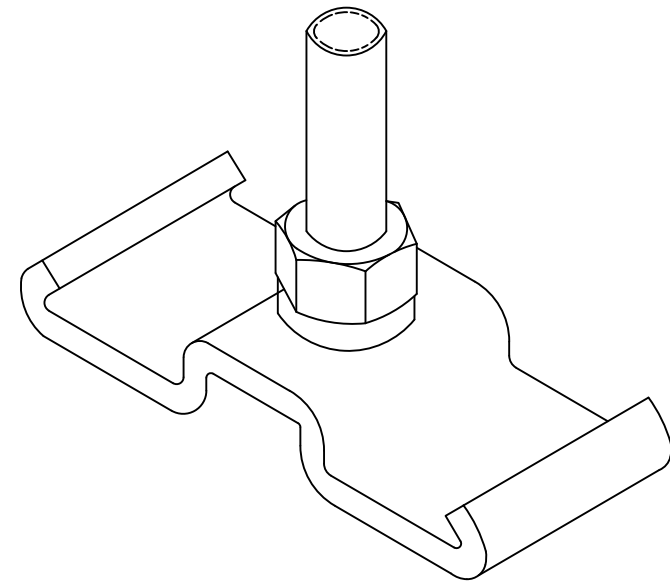
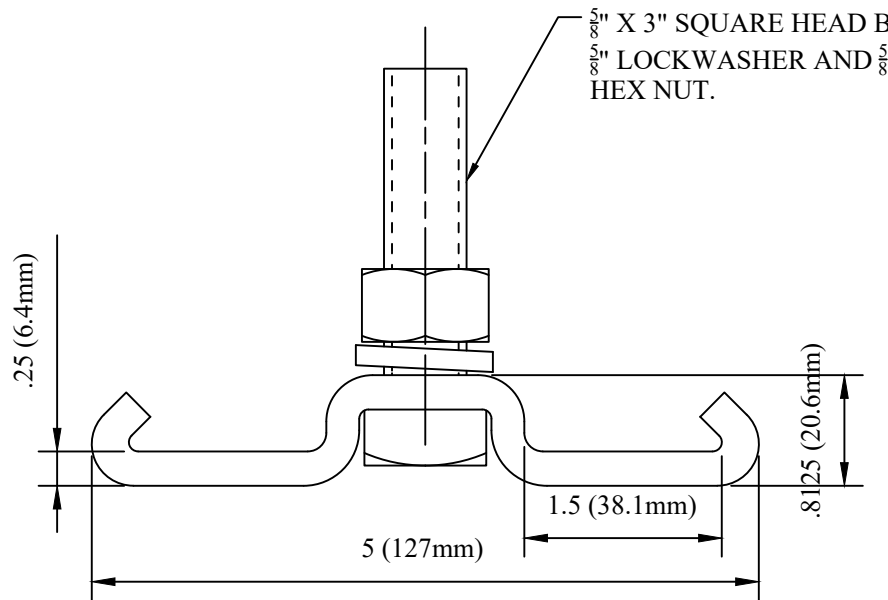


CATALOG NUMBER : 06P7EJO

NOTES:

1. BRACKET MATERIAL: ALUMINUM
HARDWARE MATERIAL: STEEL. GALVANIZED PER ASTM A153.
2. ASSEMBLED COMP;ETE AS SHOWN.



DRN BY:	DATA
Ella	10/10/17
CONFIDENTIAL THIS DRAWING AND ITS CONTENTS PROPERTY OF TIANJIN TUOFA ELECTRIC POWER TECHNOLOGY CO.,LTD. NO PUBLICATION, DISTRIBUTION OR COPIES MAY BE MADE WITHOUT THE WRITTEN CONSENT OF TIANJIN TUOFA ELECTRIC POWER TECHNOLOGY CO.,LTD. TIANJIN TUOFA ELECTRIC POWER TECHNOLOGY CO.,LTD UNPUBLISHED ALL RIGHTS RESERVED UNDER THE COPYRIGHT LAWS.	

ALUMINUM BRACKET WITH 5/8"
MOUNTING STUD W1.12



TTF POWER TECHNOLOGY CO.