

CATALOG NUMBER : 06P0BTB

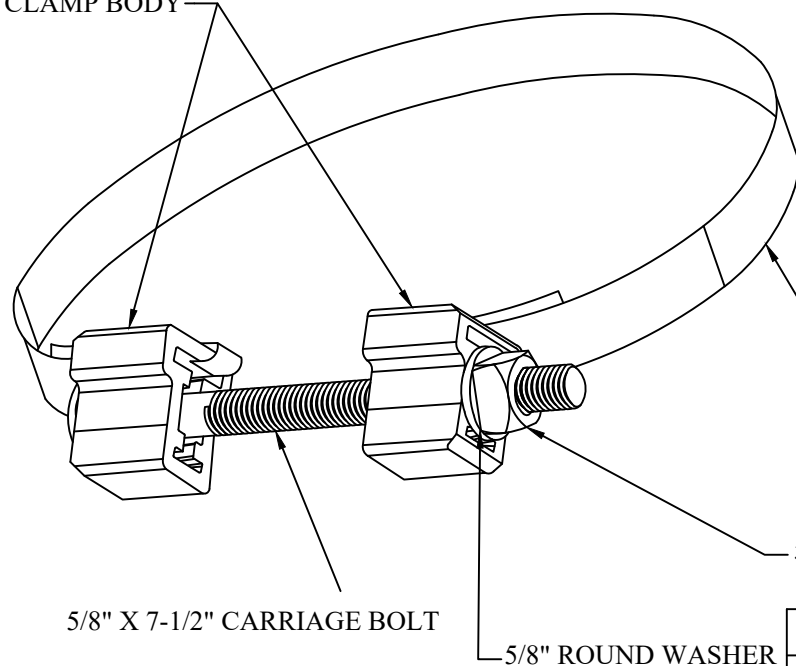
NOTES:

1. ASSEMBLIES COMPLETE AS SHOWN.

2. INSTALLATION INSTRUCTIONS:

- MEASURE CIRCUMFERENCE OF POLE WHERE BAND IS TO BE INSTALLED
- CUT BAND TO LENGTH 8" -12" BEYOND MEASURED DISTANCE PLUS WHATEVER IS CALCULATED FOR ADDITIONAL HARDWARE BEING INSTALLED.
- SLIDE BAND INTO FIXED END (AT BOLT HEAD) AND BEND 4"-6" ONTO ITSELF THUS CAPTURING ALUMINUM RETAINER.
- REPEAT THIS FOR THE SLIDING END.
- PLACE BANDED ASSEMBLY AROUND POLE AT DESIRED LOCATION INSTALLING THE CARRIAGE BOLT THROUGH THE TWO ALUMINUM ENDS.
- INSTALL NUT AND TIGHTEN UNTIL ASSEMBLY IS SECURE AND ALL SLACK HAS BEEN TAKEN UP.

ALUMINUM CLAMP BODY



W3/4" x 132" x 0.030 THICKNESS STAINLESS STEEL BAND.
(95,000 PSI TENSILE STRENGTH
15,000PSI YIELD STRENGTH)

5/8" SQUARE NUT

5/8" X 7-1/2" CARRIAGE BOLT

5/8" ROUND WASHER

DRN BY:	DATA
Ella	10/10/17
CONFIDENTIAL THIS DRAWING AND ITS CONTENTS PROPERTY OF TIANJIN TUOFA ELECTRIC POWER TECHNOLOGY CO.,LTD. NO PUBLICATION, DISTRIBUTION OR COPIES MAY BE MADE WITHOUT THE WRITTEN CONSENT OF TIANJIN TUOFA ELECTRIC POWER TECHNOLOGY CO.,LTD. TIANJIN TUOFA ELECTRIC POWER TECHNOLOGY CO.,LTD UNPUBLISHED ALL RIGHTS RESERVED UNDER THE COPYRIGHT LAWS.	

KIT WITH 132" OF 3/4" STAINLESS STEEL BANDING , ONE CBAB38 ADJUSTABLE BUCKLE



TTF POWER TECHNOLOGY CO.