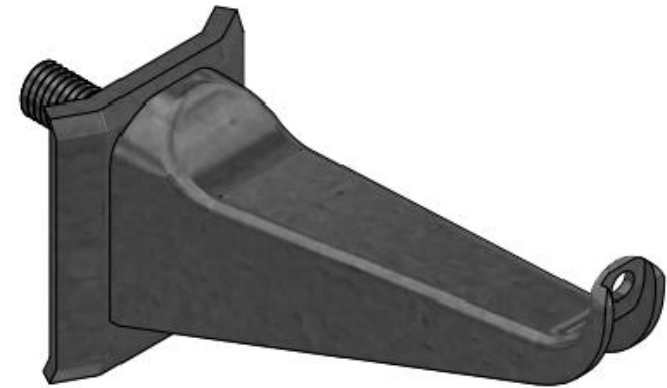
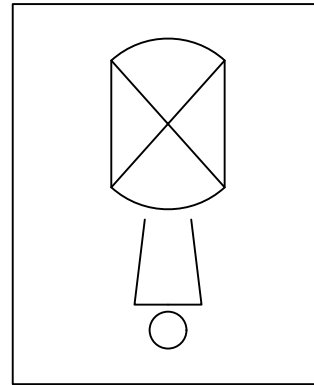
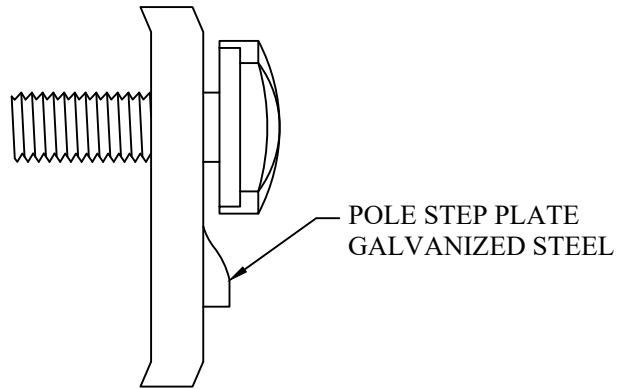


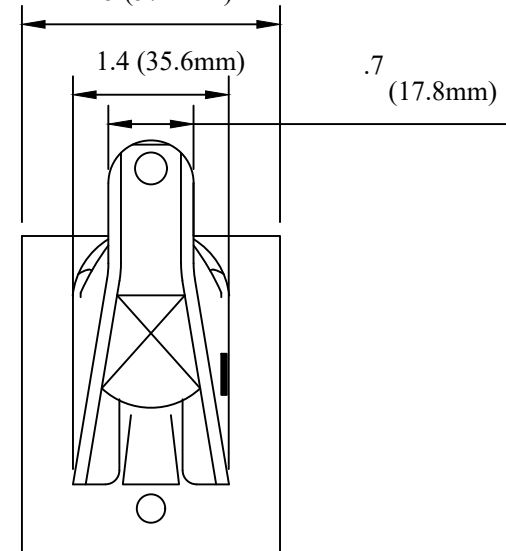
CATALOG NUMBER : 06LXCT6



2.25 (57.2mm)

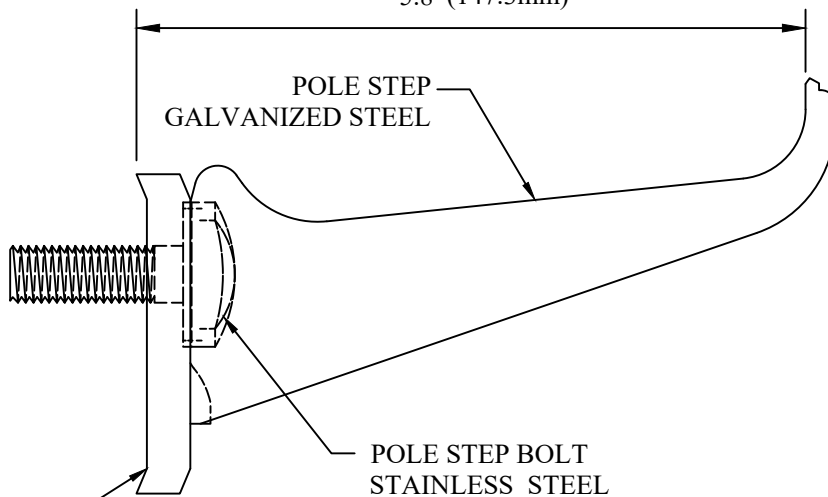
1.4 (35.6mm)

.7  
(17.8mm)



5.8 (147.3mm)

POLE STEP  
GALVANIZED STEEL



POLE STEP PLATE  
GALVANIZED STEEL

DRN BY: DATA

Ella 08/08/16

CONFIDENTIAL THIS DRAWING AND ITS CONTENTS PROPERTY OF TIANJIN TUOFA ELECTRIC POWER TECHNOLOGY CO.,LTD. NO PUBLICATION, DISTRIBUTION OR COPIES MAY BE MADE WITHOUT THE WRITTEN CONSENT OF TIANJIN TUOFA ELECTRIC POWER TECHNOLOGY CO.,LTD. TIANJIN TUOFA ELECTRIC POWER TECHNOLOGY CO.,LTD UNPUBLISHED ALL RIGHTS RESERVED UNDER THE COPYRIGHT LAWS.

**BOLT & PLATE ASSEMBLY FOR  
DETACHABLE**

**TTF POWER TECHNOLOGY CO.**