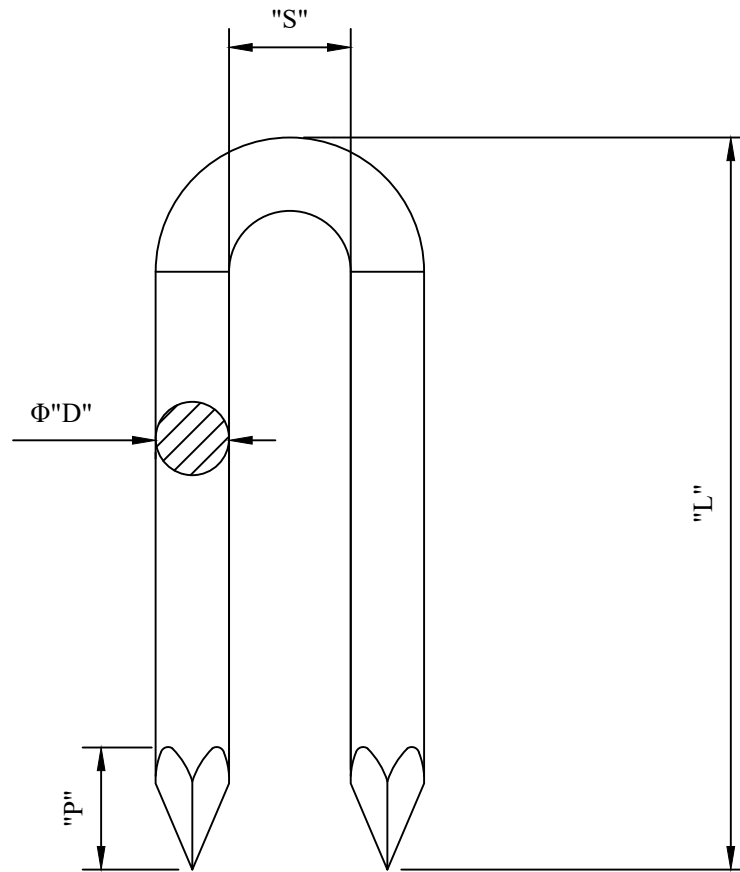


CATALOG NUMBER : 06JKW6Q

FINISH	"L"	"S"	"D"	"P"
HOT DP GALV	1-1/2 [38.1]	1-1/2 [38.1]	.148 [3.8]	1/4 [6.4]



NOTES:
1.MATERIAL: STEEL WIRE.

DRN BY:	DATA
Ella	10/08/16
<small>CONFIDENTIAL THIS DRAWING AND ITS CONTENTS PROPERTY OF TIANJIN TUOFA ELECTRIC POWER TECHNOLOGY CO.,LTD. NO PUBLICATION, DISTRIBUTION OR COPIES MAY BE MADE WITHOUT THE WRITTEN CONSENT OF TIANJIN TUOFA ELECTRIC POWER TECHNOLOGY CO.,LTD. TIANJIN TUOFA ELECTRIC POWER TECHNOLOGY CO.,LTD UNPUBLISHED ALL RIGHTS RESERVED UNDER THE COPYRIGHT LAWS.</small>	

U-SHAPE POINT STAPLE, ROLLED
DIAMOND, 1-1/2IN LENGTH UPSW0445A



TTF POWER TECHNOLOGY CO.