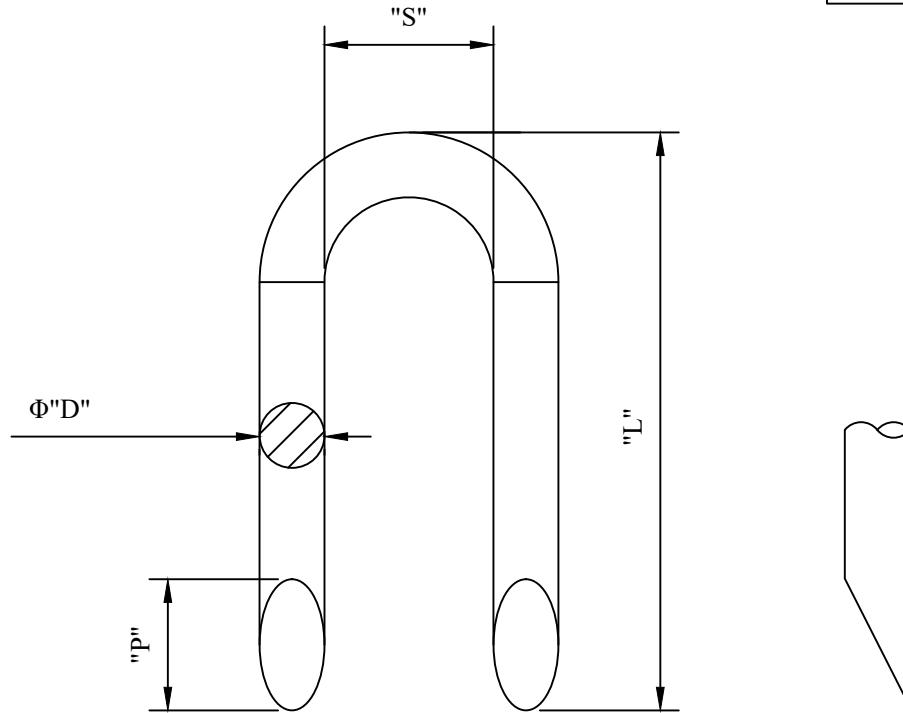


CATALOG NUMBER : 06J7EJO

FINISH	"L"	"S"	"D"	"P"
COPPER COATED	1-3/8 [34.9]	1/2 [12.7]	.162 [4.1]	5/16 [7.9]



NOTES:
1.MATERIAL: STEEL WIRE.

DRN BY:	DATA
Ella	10/08/16

CONFIDENTIAL THIS DRAWING AND ITS CONTENTS PROPERTY OF TIANJIN TUOFA ELECTRIC POWER TECHNOLOGY CO.,LTD. NO PUBLICATION, DISTRIBUTION OR COPIES MAY BE MADE WITHOUT THE WRITTEN CONSENT OF TIANJIN TUOFA ELECTRIC POWER TECHNOLOGY CO.,LTD. TIANJIN TUOFA ELECTRIC POWER TECHNOLOGY CO.,LTD UNPUBLISHED ALL RIGHTS RESERVED UNDER THE COPYRIGHT LAWS.

U-SHAPE POINT STAPLE, CUT POINT,
1-3/8IN LENGTH UPSW0445



TTF POWER TECHNOLOGY CO.