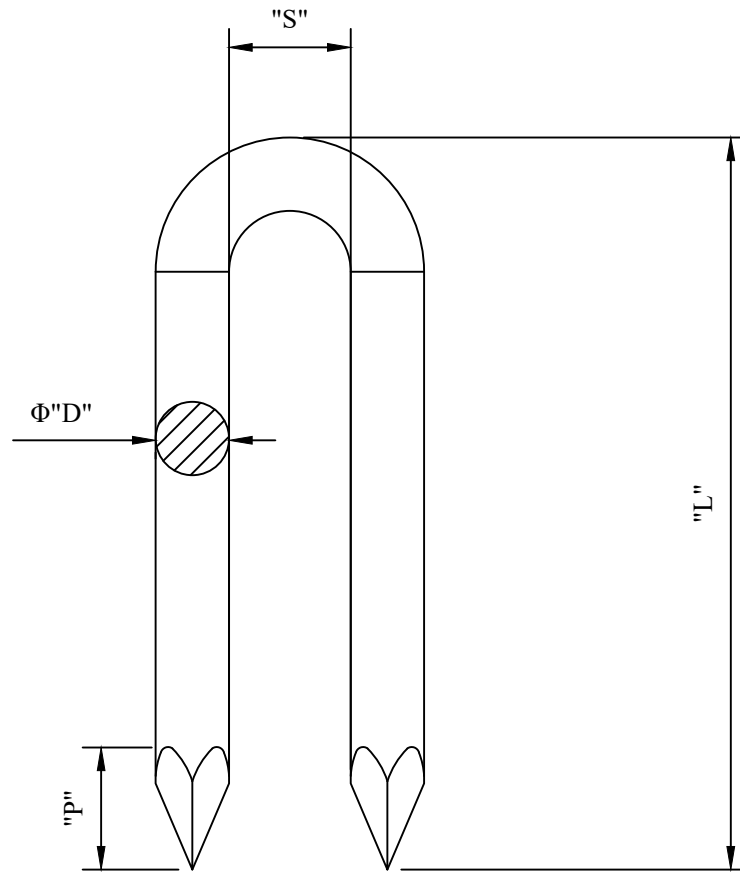


CATALOG NUMBER : 06J37SV

FINISH	"L"	"S"	"D"	"P"
COPPER COATED	1-3/4 [44.5]	3/8 [9.5]	.144 [3.7]	1/2 [12.7]



NOTES:
1.MATERIAL: STEEL WIRE.

DRN BY:	DATA
Ella	10/08/16

U-SHAPE POINT STAPLE, ROLLED
DIAMOND, 1-3/4IN LENGTH UPSW0009A

CONFIDENTIAL THIS DRAWING AND ITS
CONTENTS PROPERTY OF TIANJIN
TUOFA ELECTRIC POWER TECHNOLOGY
CO.,LTD. NO PUBLICATION,
DISTRIBUTION OR COPIES MAY BE
MADE WITHOUT THE WRITTEN
CONSENT OF TIANJIN TUOFA ELECTRIC
POWER TECHNOLOGY CO.,LTD.
TIANJIN TUOFA ELECTRIC POWER
TECHNOLOGY CO.,LTD UNPUBLISHED
ALL RIGHTS RESERVED UNDER THE
COPYRIGHT LAWS.



TTF POWER TECHNOLOGY CO.