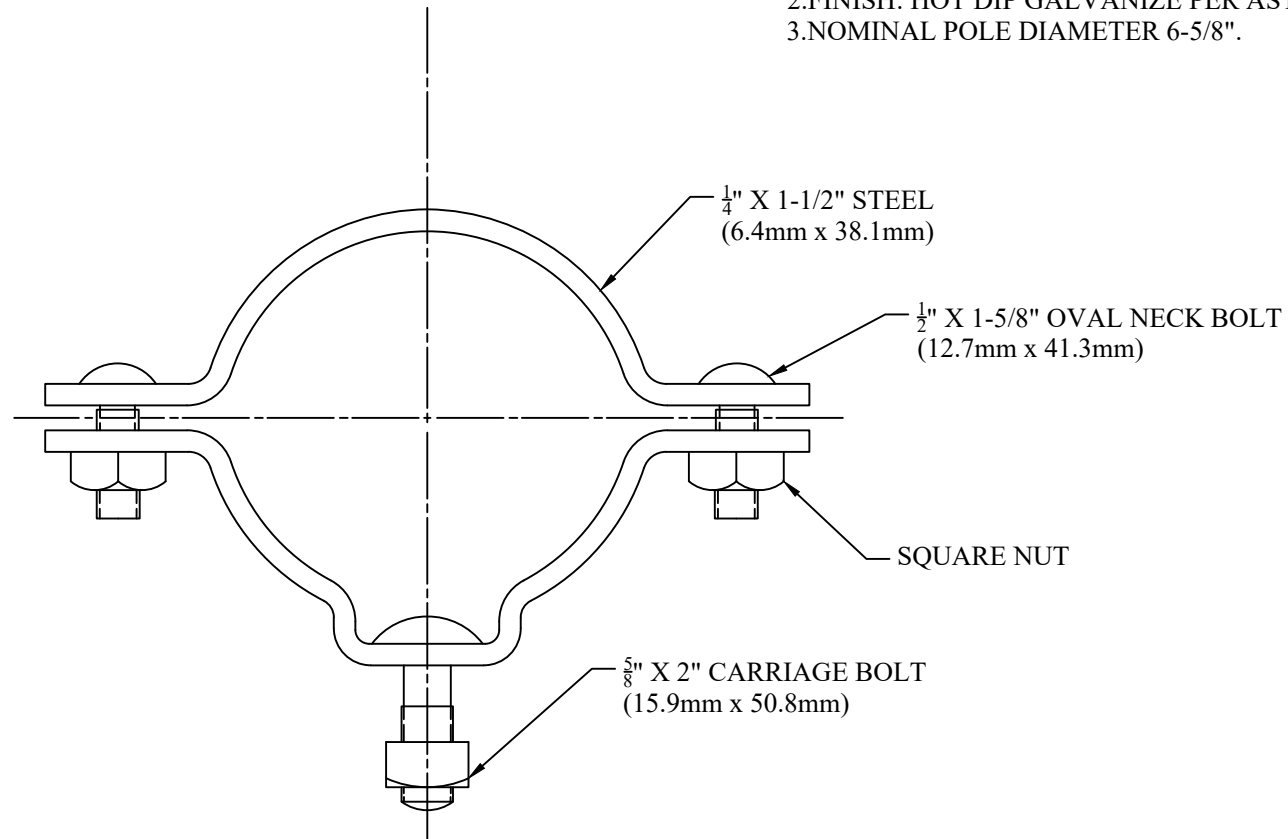


CATALOG NUMBER : 06IPEXY

NOTES:

- 1.MATERIAL: STEEL.
- 2.FINISH: HOT DIP GALVANIZE PER ASTM A153(LATEST REV.)
- 3.NOMINAL POLE DIAMETER 6-5/8".



DRN BY:	DATA
Ella	10/08/16
CONFIDENTIAL THIS DRAWING AND ITS CONTENTS PROPERTY OF TIANJIN TUOFA ELECTRIC POWER TECHNOLOGY CO.,LTD. NO PUBLICATION, DISTRIBUTION OR COPIES MAY BE MADE WITHOUT THE WRITTEN CONSENT OF TIANJIN TUOFA ELECTRIC POWER TECHNOLOGY CO.,LTD. TIANJIN TUOFA ELECTRIC POWER TECHNOLOGY CO.,LTD UNPUBLISHED ALL RIGHTS RESERVED UNDER THE COPYRIGHT LAWS.	

POLE BAND FOR SECONDARY RACK,
SINGLE MOUNTING,
POLE DIA 6" - 6-5/8" PBW1807



TTF POWER TECHNOLOGY CO.