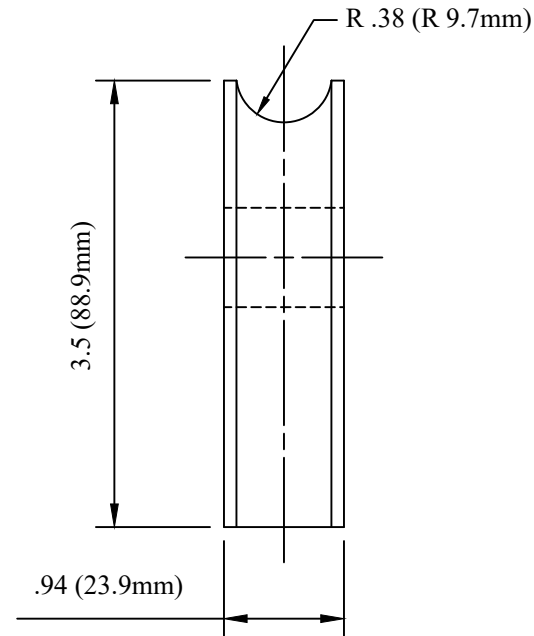
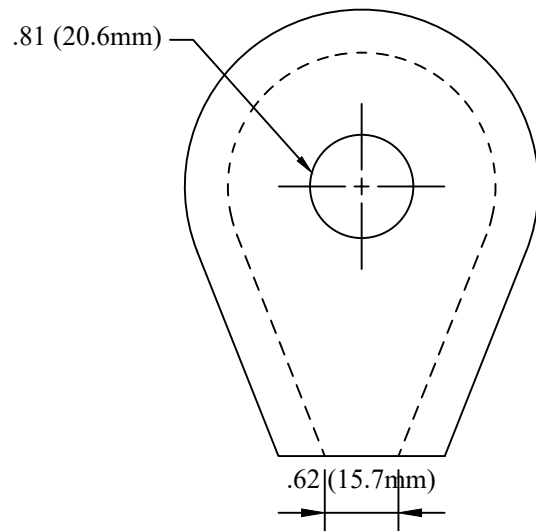
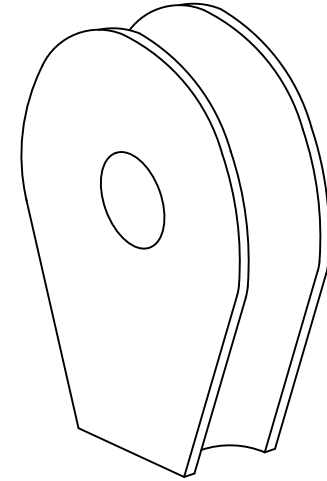


CATALOG NUMBER : 06IOVGI

NOTES:

- 1.MATERIAL: MALLEABLE IRON. GRADE 35018
- 2.FINISH: HOT DIP GALVANIZE PER ASTM SPEC. A153-53.
- 3.ALT. MATERIAL: DUCTILE IRON PER ASTM A-536-65T, GRADE 65-45-12 AND PER SPEC. TT-1.SECTION C-12.



DRN BY:	DATA
Ella	10/08/16
<small>CONFIDENTIAL THIS DRAWING AND ITS CONTENTS PROPERTY OF TIANJIN TUOFA ELECTRIC POWER TECHNOLOGY CO.,LTD. NO PUBLICATION, DISTRIBUTION OR COPIES MAY BE MADE WITHOUT THE WRITTEN CONSENT OF TIANJIN TUOFA ELECTRIC POWER TECHNOLOGY CO.,LTD. TIANJIN TUOFA ELECTRIC POWER TECHNOLOGY CO.,LTD UNPUBLISHED ALL RIGHTS RESERVED UNDER THE COPYRIGHT LAWS.</small>	

**STEEL THIMBLE SHEAVE FOR POLE
BAND GUY CLIP, WEIGHT 1.57 LB
STSW0713**



TTF POWER TECHNOLOGY CO.