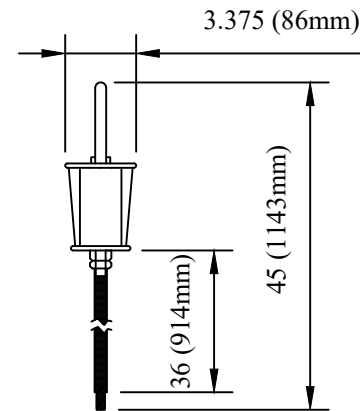
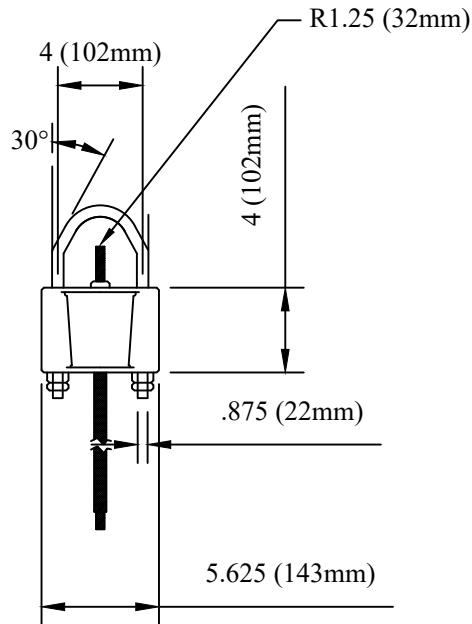
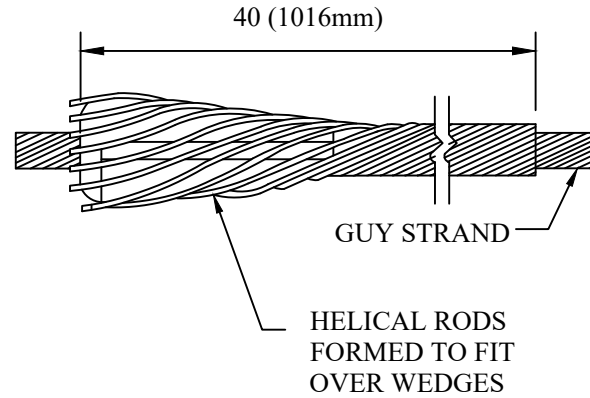
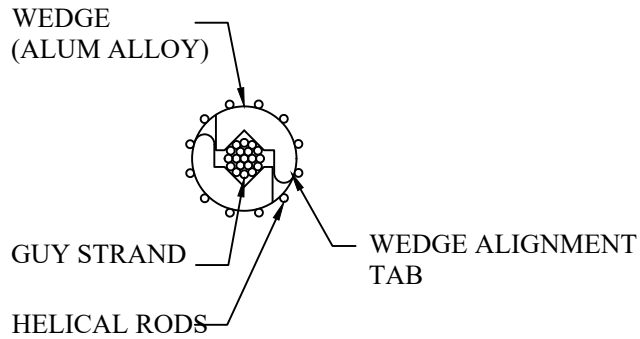


CATALOG NUMBER : 06EOVGI



NOTES:

- 1.SOCKET MADE OF DUCTILE IRON.
- 2.U-BOLT MADE OF C1045 STEEL.
- 3.SOCKET & U-BOLT HOT DIP GALVANIZE PER ASTM A153.

DRN BY:	DATA
DYJ	08/08/16
<small>CONFIDENTIAL THIS DRAWING AND ITS CONTENTS PROPERTY OF TIANJIN TUOFA ELECTRIC POWER TECHNOLOGY CO.,LTD. NO PUBLICATION, DISTRIBUTION OR COPIES MAY BE MADE WITHOUT THE WRITTEN CONSENT OF TIANJIN TUOFA ELECTRIC POWER TECHNOLOGY CO.,LTD. TIANJIN TUOFA ELECTRIC POWER TECHNOLOGY CO.,LTD UNPUBLISHED ALL RIGHTS RESERVED UNDER THE COPYRIGHT LAWS.</small>	

ADJUSTABLE GUY DEADEND FOR 3/4 IN DIA.  
 GALVANIZED STEEL GUY STRAND, 58,300 LBS  
 STRENGTH\_AGDW6564



TTF POWER TECHNOLOGY CO.