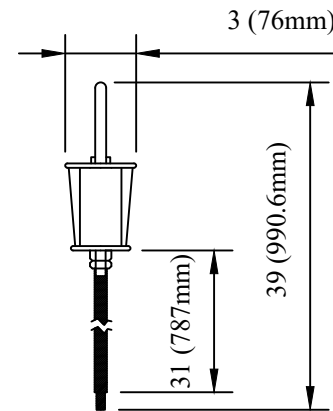
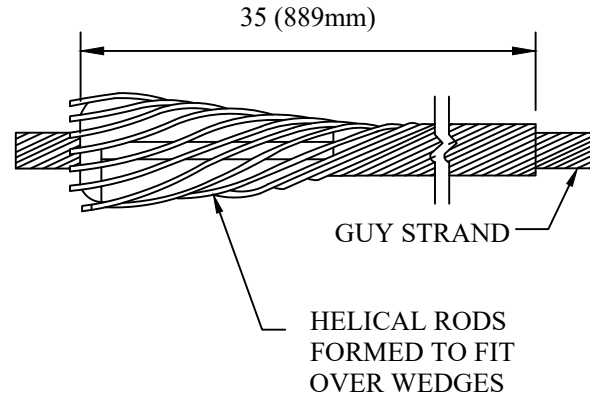
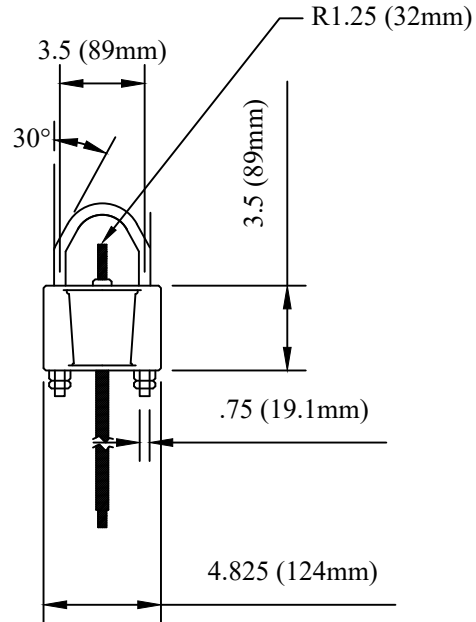
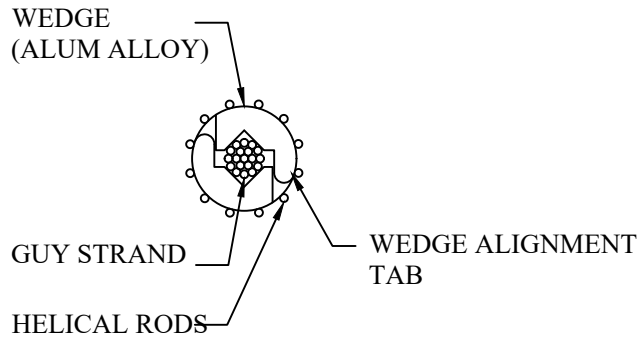


CATALOG NUMBER : 06E7EJO



NOTES:

1. SOCKET MADE OF DUCTILE IRON.
2. U-BOLT MADE OF C1045 STEEL.
3. SOCKET & U-BOLT HOT DIP GALVANIZE PER ASTM A153.

DRN BY:	DATA
DYJ	08/08/16
<small>CONFIDENTIAL. THIS DRAWING AND ITS CONTENTS PROPERTY OF TIANJIN TUOFA ELECTRIC POWER TECHNOLOGY CO., LTD. NO PUBLICATION, DISTRIBUTION OR COPIES MAY BE MADE WITHOUT THE WRITTEN CONSENT OF TIANJIN TUOFA ELECTRIC POWER TECHNOLOGY CO., LTD. TIANJIN TUOFA ELECTRIC POWER TECHNOLOGY CO., LTD. UNPUBLISHED ALL RIGHTS RESERVED UNDER THE COPYRIGHT LAWS.</small>	

ADJUSTABLE GUY DEADEND FOR 5/8 IN DIA.
 GALVANIZED STEEL GUY STRAND, 42,400 LBS
 STRENGTH_AGDW4149



TTF POWER TECHNOLOGY CO.