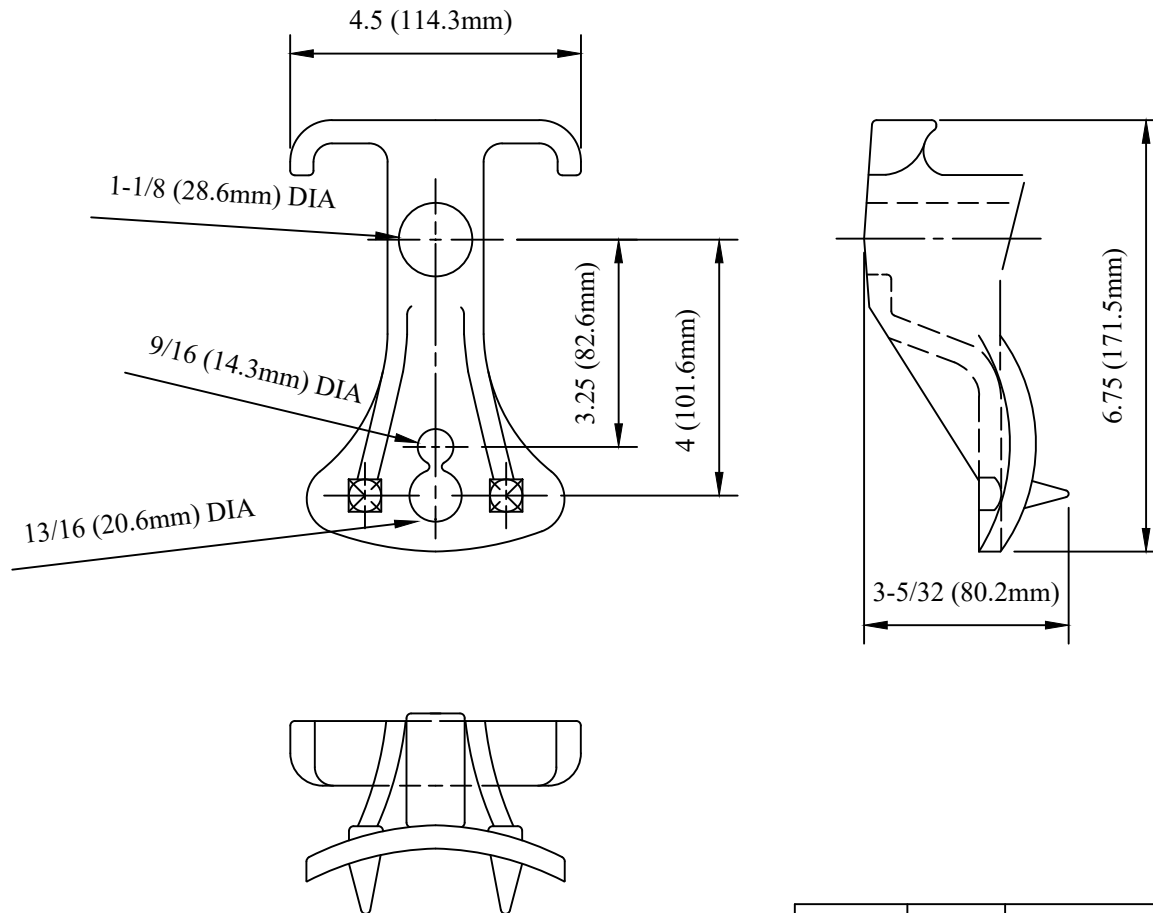


CATALOG NUMBER : 06DNPWN



NOTES:

- 1.MATERIAL: DUCTILE IRON PER ASTM A536(LATEST REV.).
- 2.FINISH: HOT DIP GALVANIZE PER ASTM A153(LATEST REV.)

DRN BY:	DATA
Ella	08/06/16
<small>CONFIDENTIAL THIS DRAWING AND ITS CONTENTS PROPERTY OF TIANJIN TUOFA ELECTRIC POWER TECHNOLOGY CO.,LTD. NO PUBLICATION, DISTRIBUTION OR COPIES MAY BE MADE WITHOUT THE WRITTEN CONSENT OF TIANJIN TUOFA ELECTRIC POWER TECHNOLOGY CO.,LTD. TIANJIN TUOFA ELECTRIC POWER TECHNOLOGY CO.,LTD UNPUBLISHED ALL RIGHTS RESERVED UNDER THE COPYRIGHT LAWS.</small>	

**CAST DUCTILE IRON GUY-HOOK ATTACHMENT
FOR DEADENDING GUY WIRE, 33,500 LBS.
STRENGTH, 1" BOLT SIZE WITH 9/16" & 13/16"
LOWER HOLES CDIGHAW1630**



TTF POWER TECHNOLOGY CO.