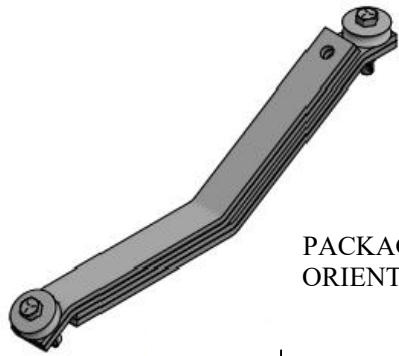
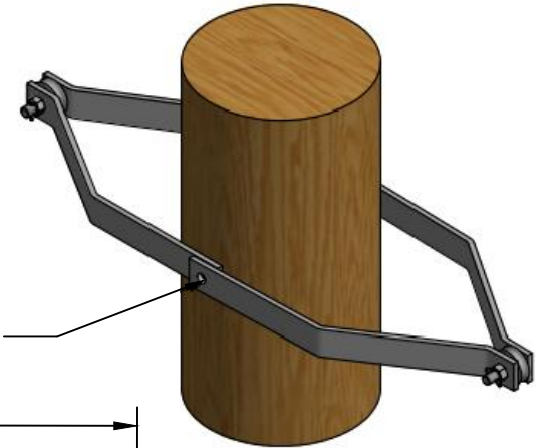


CATALOG NUMBER : 06DF8CX



PACKAGING
ORIENTATION



APPLICATION VIEW

MOUNTING HOLE
FOR 5/8" BOLT
(BOLT NOT INCLUDED)

39 (990.6mm)

9.5 (241.3mm)

5/8-11 x 3" BOLT

5/8-11 NUT

COTTER PIN

12" DIA POLE

ROLLER

$\frac{3}{4}$ " X 2- $\frac{3}{8}$ " (19.1mm x 60.3mm)(OVERALL)
1- $\frac{7}{8}$ " (47.6mm)(SEAT DIAMETER)

BRACKET

$\frac{3}{8}$ " X 2" (9.5mm x 50.8mm)

NOTES:

1. USED TO DEADEND AT THE POLE WHEN AN OBSTRUCTION ON THE POLE PROHIBITS STANDARD DEADEND HARDWARE.
2. USE WITH 12" DIAMETER POLE
3. STEEL, GALVANIZED PER ASTM A153.

DRN BY: DATA

Ella 08/06/16

CONFIDENTIAL THIS DRAWING AND ITS CONTENTS PROPERTY OF TIANJIN TUOFA ELECTRIC POWER TECHNOLOGY CO.,LTD. NO PUBLICATION, DISTRIBUTION OR COPIES MAY BE MADE WITHOUT THE WRITTEN CONSENT OF TIANJIN TUOFA ELECTRIC POWER TECHNOLOGY CO.,LTD. TIANJIN TUOFA ELECTRIC POWER TECHNOLOGY CO.,LTD UNPUBLISHED ALL RIGHTS RESERVED UNDER THE COPYRIGHT LAWS.

3/8" X 2" STEEL BRACKET ASSEMBLY
FOR POLE, DUAL DEADEND
ATTACHMENT SBAW0



TTF POWER TECHNOLOGY CO.