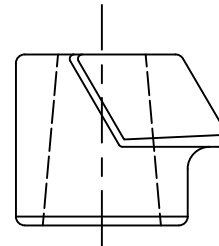
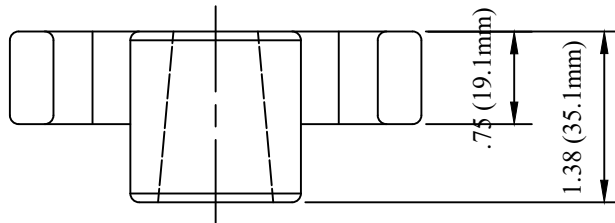
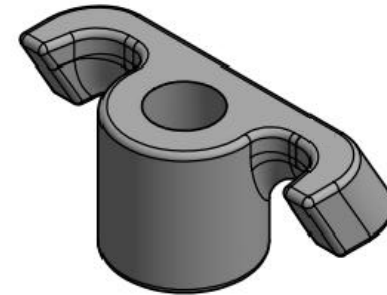
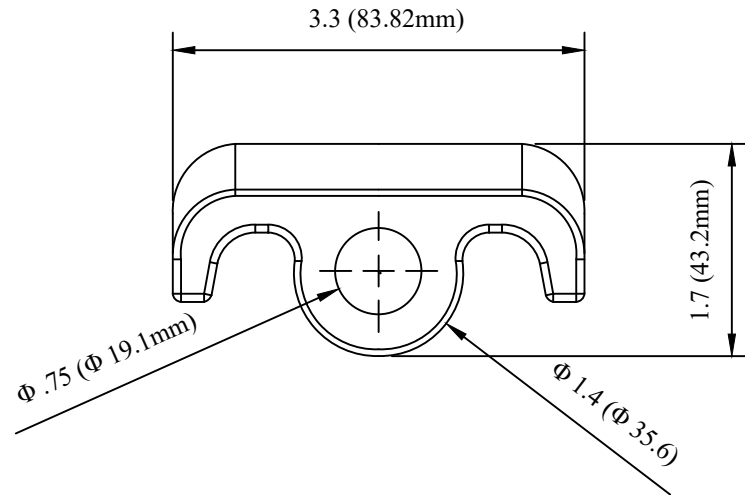


CATALOG NUMBER : 06DDH9I



NOTES:

- 1.MATERIAL: DUCTILE IRON PER ASTM A536(LATEST REV.).
- 2.FINISH: HOT DIP GALVANIZE PER ASTM A153(LATEST REV.).

DRN BY:	DATA
Ella	08/06/16

CAST DUCTILE IRON GUY-HOOK ATTACHMENT
FOR DEADENDING GUY WIRE,SPAN TYPE,3/4"
BOLT SIZE CDIGHAW0277

CONFIDENTIAL.THIS DRAWING AND ITS
CONTENTS PROPERTY OF TIANJIN
TUOFA ELECTRIC POWER TECHNOLOGY
CO.,LTD. NO PUBLICATION,
DISTRIBUTION OR COPIES MAY BE
MADE WITHOUT THE WRITTEN
CONSENT OF TIANJIN TUOFA ELECTRIC
POWER TECHNOLOGY CO.,LTD.
TIANJIN TUOFA ELECTRIC POWER
TECHNOLOGY CO.,LTD UNPUBLISHED
ALL RIGHTS RESERVED UNDER THE
COPYRIGHT LAWS.



TTF POWER TECHNOLOGY CO.