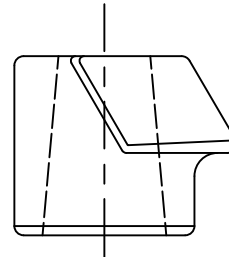
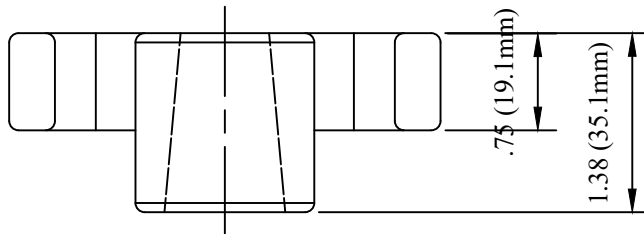
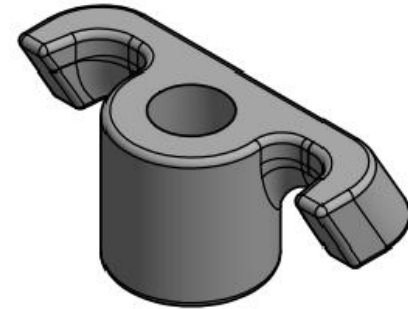
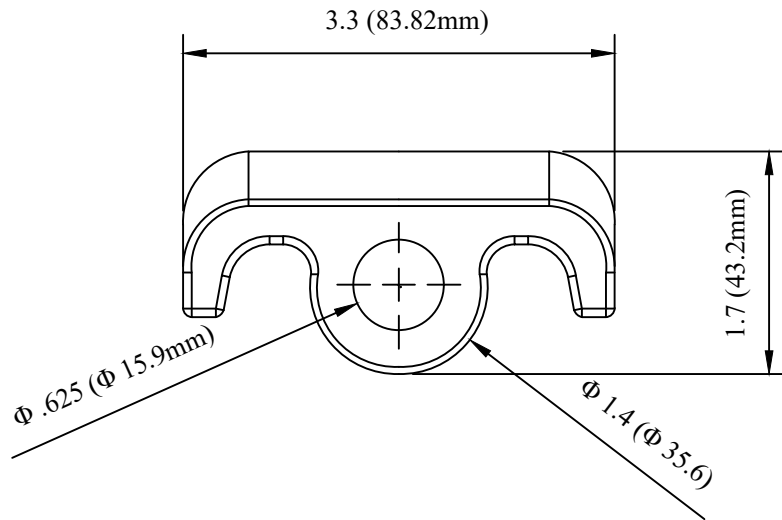


CATALOG NUMBER : 06D4ZD8



NOTES:

- 1.MATERIAL: DUCTILE IRON PER ASTM A536(LATEST REV.).
- 2.FINISH: HOT DIP GALVANIZE PER ASTM A153(LATEST REV.)

DRN BY:	DATA
Ella	08/06/16

CAST DUCTILE IRON GUY-HOOK ATTACHMENT
FOR DEADENDING GUY WIRE,SPAN TYPE,5/8"
BOLT SIZE CDIGHAW0281

CONFIDENTIAL THIS DRAWING AND ITS CONTENTS PROPERTY OF TIANJIN TUOFA ELECTRIC POWER TECHNOLOGY CO.,LTD. NO PUBLICATION, DISTRIBUTION OR COPIES MAY BE MADE WITHOUT THE WRITTEN CONSENT OF TIANJIN TUOFA ELECTRIC POWER TECHNOLOGY CO.,LTD. TIANJIN TUOFA ELECTRIC POWER TECHNOLOGY CO.,LTD UNPUBLISHED ALL RIGHTS RESERVED UNDER THE COPYRIGHT LAWS.



TTF POWER TECHNOLOGY CO.