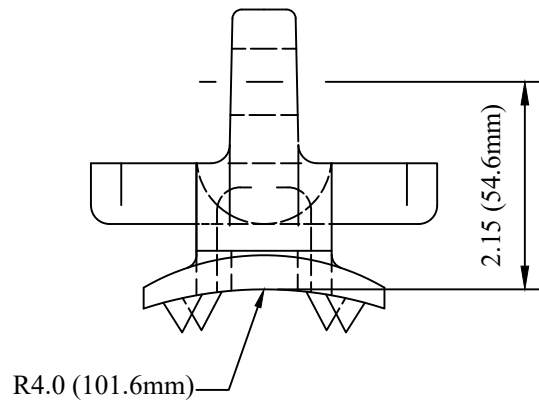
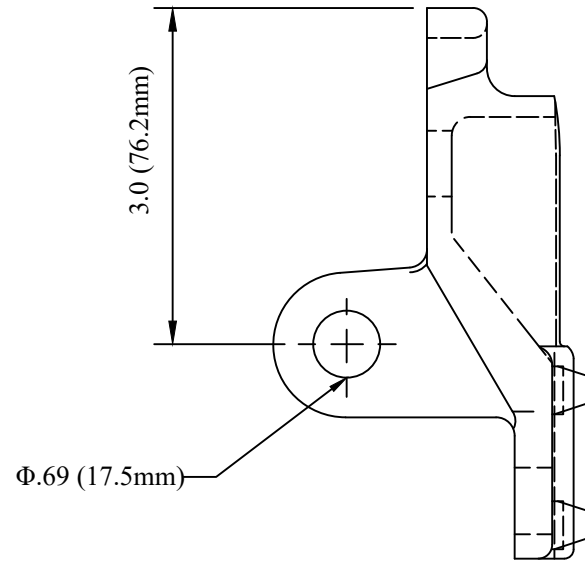
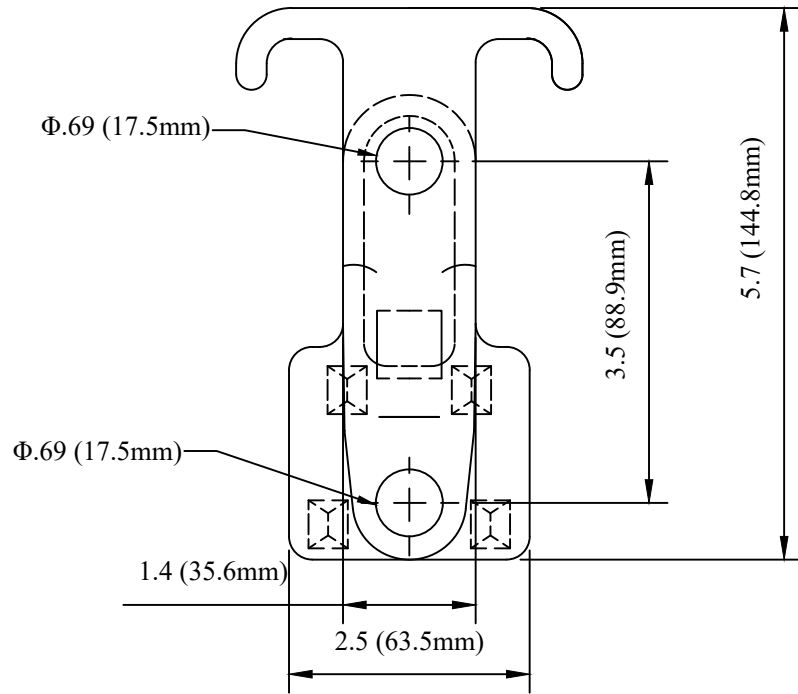
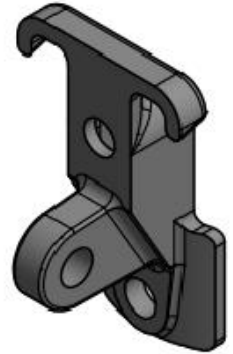



CATALOG NUMBER : 06D139F



NOTES:

1. DUCTILE IRON PER ASTM A-536, HOT DIP GALVANIZED PER ASTM A-153.

DRN BY:	DATA	COMBINATION GUY-HOOK/POLE EYE ATTACHMENT, 12,500 LBD. STRENGTH, 5/8IN UPPER & LOWER BOLT SIZE, 11/16IN CLEVIS PIN HOLE
Ella	08/06/16	
<small>CONFIDENTIAL THIS DRAWING AND ITS CONTENTS PROPERTY OF TIANJIN TUOFA ELECTRIC POWER TECHNOLOGY CO.,LTD. NO PUBLICATION, DISTRIBUTION OR COPIES MAY BE MADE WITHOUT THE WRITTEN CONSENT OF TIANJIN TUOFA ELECTRIC POWER TECHNOLOGY CO.,LTD. TIANJIN TUOFA ELECTRIC POWER TECHNOLOGY CO.,LTD UNPUBLISHED ALL RIGHTS RESERVED UNDER THE COPYRIGHT LAWS.</small>		 <b>TTF POWER TECHNOLOGY CO.</b>