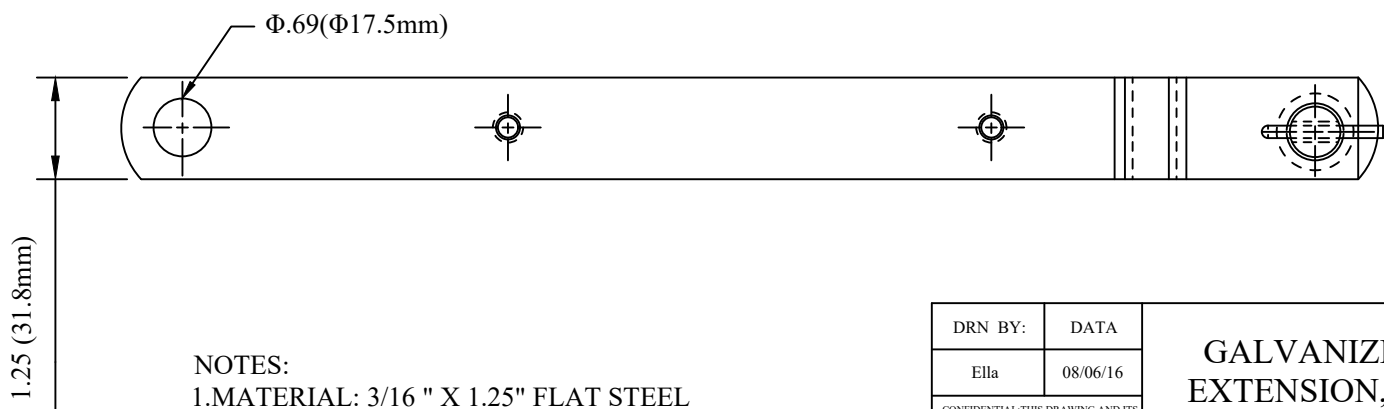
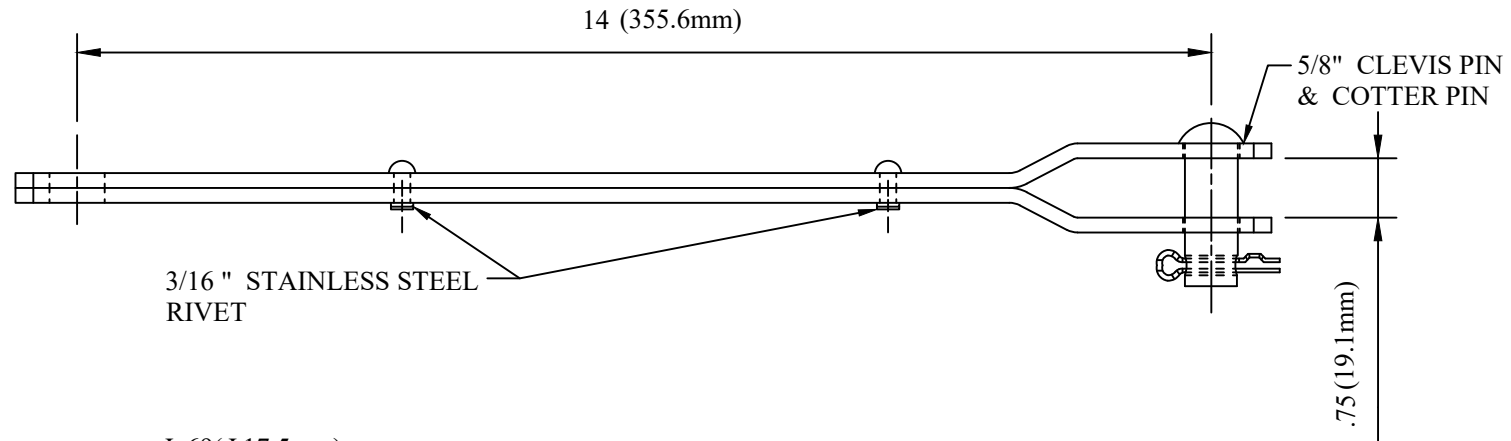
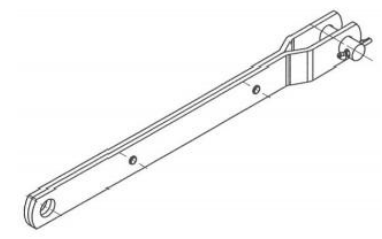


CATALOG NUMBER : 06B90IH



NOTES:
 1.MATERIAL: 3/16 " X 1.25" FLAT STEEL
 2.FINISH: HOT DIP GALVANIZE PER ASTM A153(LATEST REVISION).

DRN BY:	DATA
Ella	08/06/16
<small>CONFIDENTIAL THIS DRAWING AND ITS CONTENTS PROPERTY OF TIANJIN TUOFA ELECTRIC POWER TECHNOLOGY CO.,LTD. NO PUBLICATION, DISTRIBUTION OR COPIES MAY BE MADE WITHOUT THE WRITTEN CONSENT OF TIANJIN TUOFA ELECTRIC POWER TECHNOLOGY CO.,LTD. TIANJIN TUOFA ELECTRIC POWER TECHNOLOGY CO.,LTD UNPUBLISHED ALL RIGHTS RESERVED UNDER THE COPYRIGHT LAWS.</small>	

GALVANIZED, ASTM A-153 LINKS, EXTENSION, 14IN LENGTH_GLEL356

