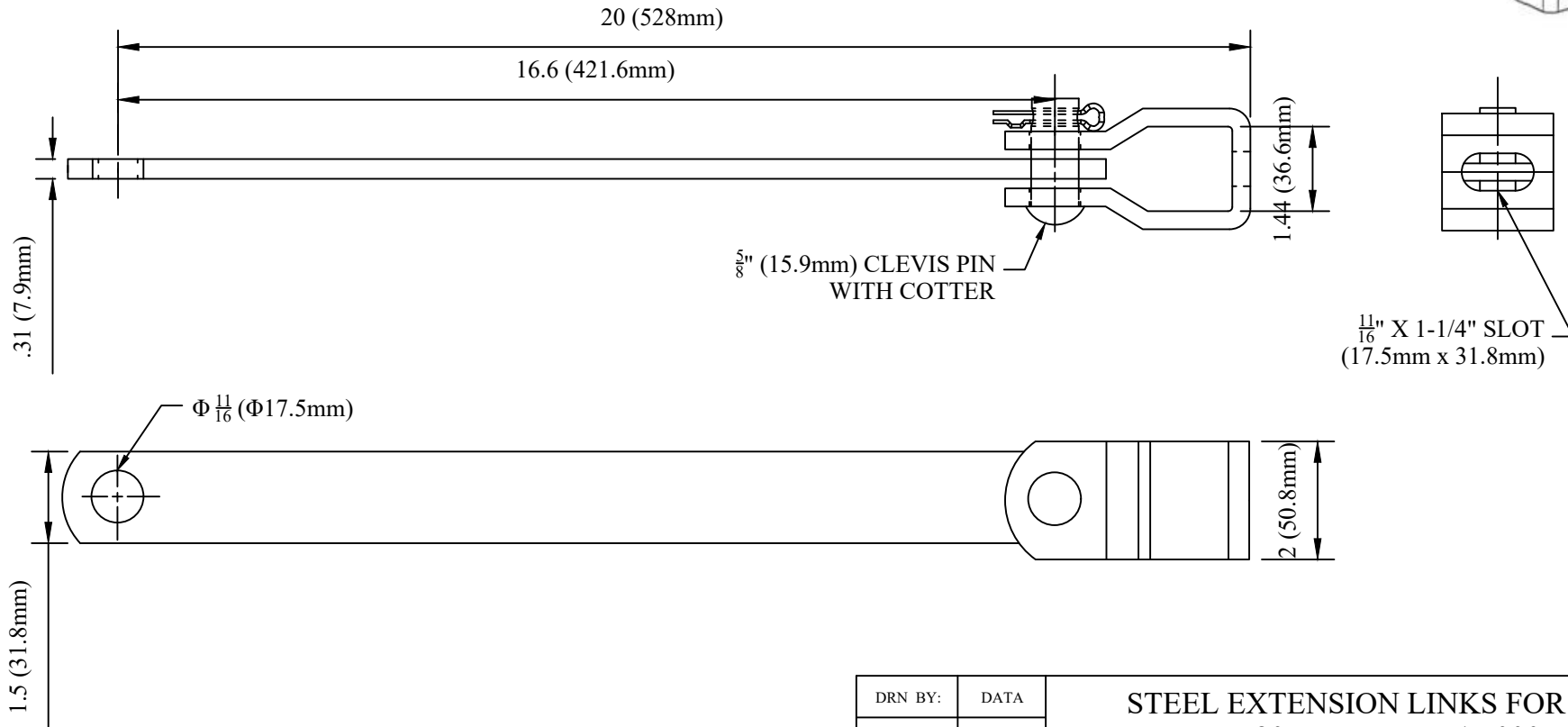
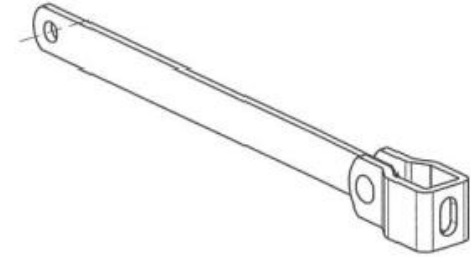


CATALOG NUMBER : 06B3MMM



- NOTES:
- 1.MATERIAL: AISI M1020 H.R. STEEL.  
ALI. MAT'L: ASTM A36 H.R. STEEL.
  - 2.FINISH: HOT DIP GALVANIZE PER ASTM A153(LATEST REVISION).

DRN BY:	DATA
Ella	08/06/16
<small>CONFIDENTIAL THIS DRAWING AND ITS CONTENTS PROPERTY OF TIANJIN TUOFA ELECTRIC POWER TECHNOLOGY CO.,LTD. NO PUBLICATION, DISTRIBUTION OR COPIES MAY BE MADE WITHOUT THE WRITTEN CONSENT OF TIANJIN TUOFA ELECTRIC POWER TECHNOLOGY CO.,LTD. TIANJIN TUOFA ELECTRIC POWER TECHNOLOGY CO.,LTD UNPUBLISHED ALL RIGHTS RESERVED UNDER THE COPYRIGHT LAWS.</small>	

STEEL EXTENSION LINKS FOR  
DEADEND 20IN LENGTH 15,000LBS  
MINIMUM STRENGTH SELDL508



TTF POWER TECHNOLOGY CO.