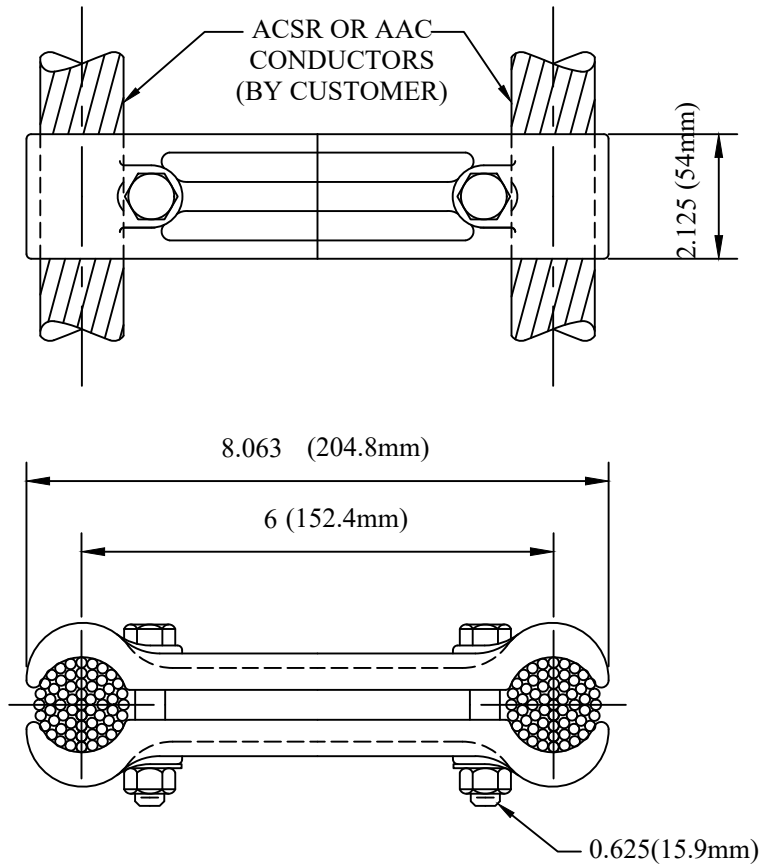


CATALOG NUMBER : 05F139F



NOTES:

- 1.MATERIAL: 356-T6 ALUMINUM ALLOY
- 2.FOR SUBSTATION USE ONLY, DO NOT USE FOR OVERHEAD TRANSMISSION LINES

CONDUCTOR RANGE(MCM)		DECIMAL RANGE
AAC	ACSR	
1500-2000	1272-1590	1.382-1.632

DRN BY:	DATA
Ella	10/08/16
<small>CONFIDENTIAL THIS DRAWING AND ITS CONTENTS PROPERTY OF TIANJIN TUOFA ELECTRIC POWER TECHNOLOGY CO.,LTD. NO PUBLICATION, DISTRIBUTION OR COPIES MAY BE MADE WITHOUT THE WRITTEN CONSENT OF TIANJIN TUOFA ELECTRIC POWER TECHNOLOGY CO.,LTD. TIANJIN TUOFA ELECTRIC POWER TECHNOLOGY CO.,LTD UNPUBLISHED ALL RIGHTS RESERVED UNDER THE COPYRIGHT LAWS.</small>	

CABLE SPACER, ALUMINUM(A)



TTF POWER TECHNOLOGY CO.