

CATALOG NUMBER : 05EXCT6

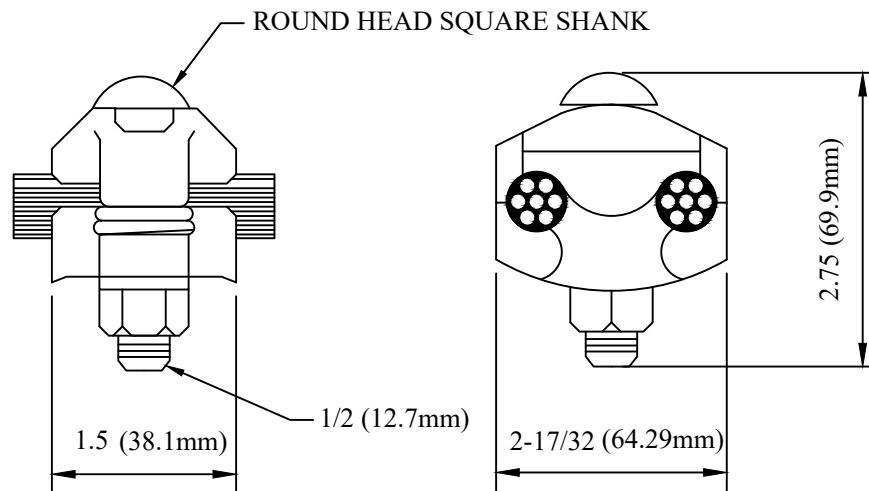
FOR ALUMINUM TO ALUMINUM AND ALUMINUM TO COPPER
CONDUCTOR SPLICE / TAP CONNECTIONS. SEALANT (XB) IS
RECOMMENDED ON ALL CONNECTIONS.

NOTES:

1.MATERIAL:

BODY - ALUMINUM ALLOY

HARDWARE - GALVANIZED STEEL



| | |
|---------|----------|
| DRN BY: | DATA |
| Ella | 10/08/16 |

CONNECTOR,PARALLEL GROOVE

CONFIDENTIAL THIS DRAWING AND ITS
CONTENTS PROPERTY OF TIANJIN
TUOFA ELECTRIC POWER TECHNOLOGY
CO.,LTD. NO PUBLICATION,
DISTRIBUTION OR COPIES MAY BE
MADE WITHOUT THE WRITTEN
CONSENT OF TIANJIN TUOFA ELECTRIC
POWER TECHNOLOGY CO.,LTD.
TIANJIN TUOFA ELECTRIC POWER
TECHNOLOGY CO.,LTD UNPUBLISHED
ALL RIGHTS RESERVED UNDER THE
COPYRIGHT LAWS.



TTF POWER TECHNOLOGY CO.