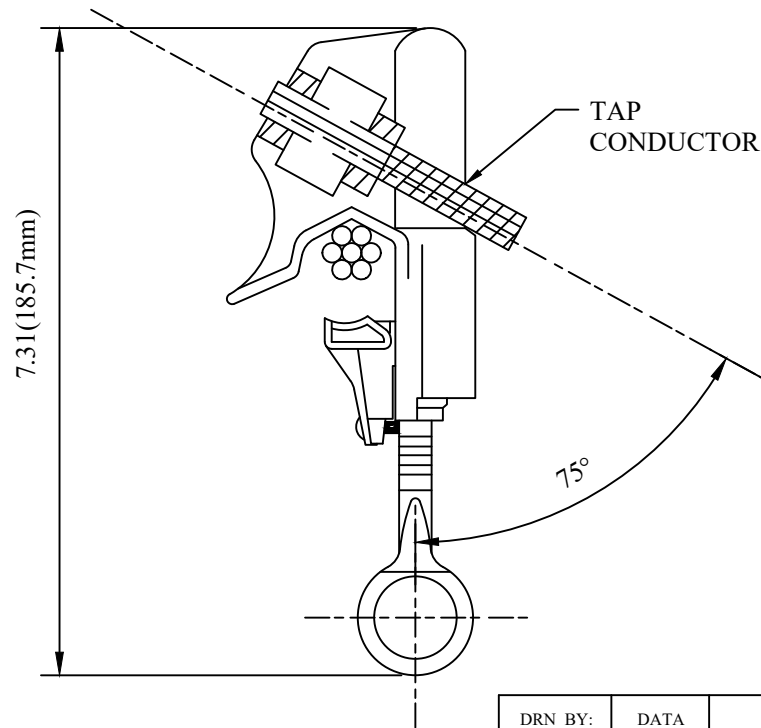
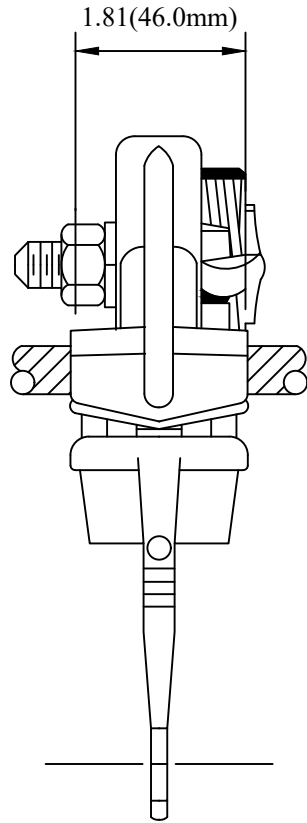


CATALOG NUMBER : 05DXCT6

PRODUCT DATA & CONDUCTOR SIZE

| MAIN LINE | TAP | PLATING | CONDUCTOR RANGE (AWG OR KCMIL) | | | | | | TAP | TAP |
|-----------|-----|-----------|--------------------------------|------------------|----------------------------|---------------|------------------|---------------|---------|----------------|
| | | | MAIN | | | TAP | | | | |
| | | | AAC | | ACSR | AAC/CU | | ACSR | | |
| AL | CU | AC Trans+ | 4/0 Str. – 800 | #4 Str. – 4/0 | 3/0 (6/1) – 636 (30/19) | #4 – 266.8 | #4 Sol. – 350 | #6 – 266.8 | 3/4(19) | 0.98 (0.45) |



NOTES:
 1. FOR ALUMINUM AND ACSR CONDUCTOR.
 2. DESIGNED FOR STANDARD "HOT STICK" APPLICATION.
 3. MATERIAL:
 BODY AND KEEPER - ALUMINUM ALLOY
 EYEBOLT - BRONZE ALLOY - TIN PLATED
 EYESTEM - BRONZE ALLOY, FORGED OR STAINLESS STEEL
 SPRING (ON EYESTEM) - STAINLESS STEEL

FOR FACTORY GREASED AND BAGGED CLAMPS, SEE NOTES TABLE.

| | |
|--|----------|
| DRN BY: | DATA |
| Ella | 10/08/16 |
| <small>CONFIDENTIAL. THIS DRAWING AND ITS CONTENTS PROPERTY OF TIANJIN TUOFA ELECTRIC POWER TECHNOLOGY CO., LTD. NO PUBLICATION, DISTRIBUTION OR COPIES MAY BE MADE WITHOUT THE WRITTEN CONSENT OF TIANJIN TUOFA ELECTRIC POWER TECHNOLOGY CO., LTD. TIANJIN TUOFA ELECTRIC POWER TECHNOLOGY CO., LTD. UNPUBLISHED ALL RIGHTS RESERVED UNDER THE COPYRIGHT LAWS.</small> | |

HOT LINE TAP CLAMP, ALUMINUM



TTF POWER TECHNOLOGY CO.