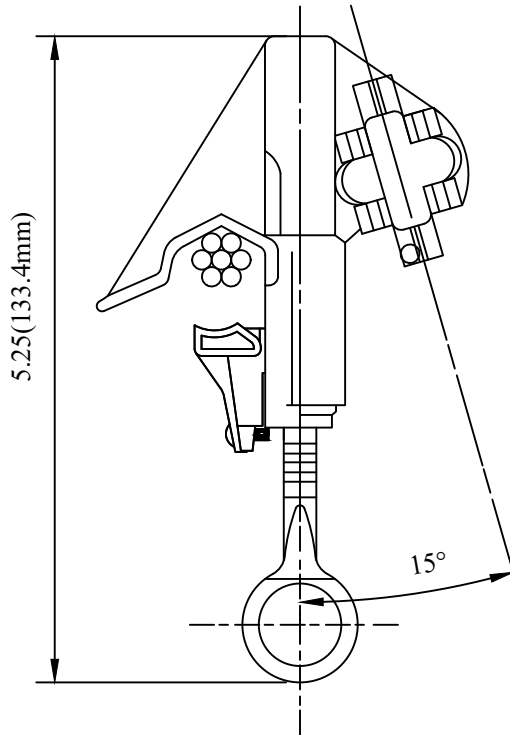
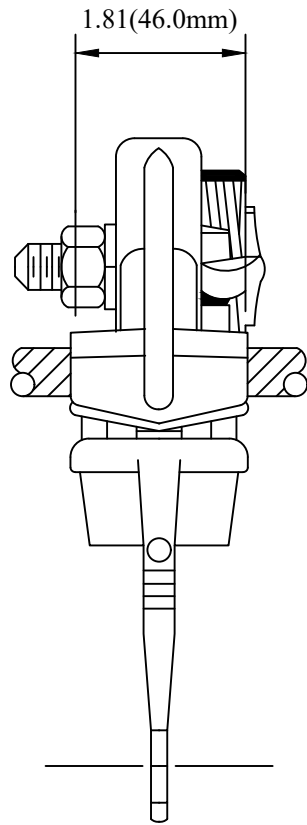


CATALOG NUMBER : 05D139F

PRODUCT DATA & CONDUCTOR SIZE

MAIN LINE	TAP	PLATING	CONDUCTOR RANGE (AWG OR KCMIL)						TAP	TAP
			MAIN			TAP				
			AAC	ACSR		AAC/CU	ACSR			
AL	AL	None	#8 - 2/0 Str	n/a	#8 - 1/0	n/a	#8 Sol. - 2/0 Str.	#8 - 1/0	9/16 (14.3)	0.4 (0.18)



NOTES:

- 1.FOR ALUMINUM AND ACSR CONDUCTOR.
- 2.DESIGNED FOR STANDARD "HOT STICK" APPLICATION.
- 3.MATERIAL:
 BODY AND KEEPER - ALUMINUM ALLOY
 EYEBOLT - BRONZE ALLOY - TIN PLATED
 EYESTEM - BRONZE ALLOY, FORGED OR
 STAINLESS STEEL
 SPRING (ON EYESTEM) - STAINLESS STEEL

FOR FACTORY GREASED AND BAGGED CLAMPS,SEE NOTES TABLE.

DRN BY:	DATA
Ella	10/08/16

HOT LINE TAP CLAMP,ALUMINUM

CONFIDENTIAL THIS DRAWING AND ITS CONTENTS PROPERTY OF TIANJIN TUOFA ELECTRIC POWER TECHNOLOGY CO.,LTD. NO PUBLICATION, DISTRIBUTION OR COPIES MAY BE MADE WITHOUT THE WRITTEN CONSENT OF TIANJIN TUOFA ELECTRIC POWER TECHNOLOGY CO.,LTD. TIANJIN TUOFA ELECTRIC POWER TECHNOLOGY CO.,LTD UNPUBLISHED ALL RIGHTS RESERVED UNDER THE COPYRIGHT LAWS.



TTF POWER TECHNOLOGY CO.