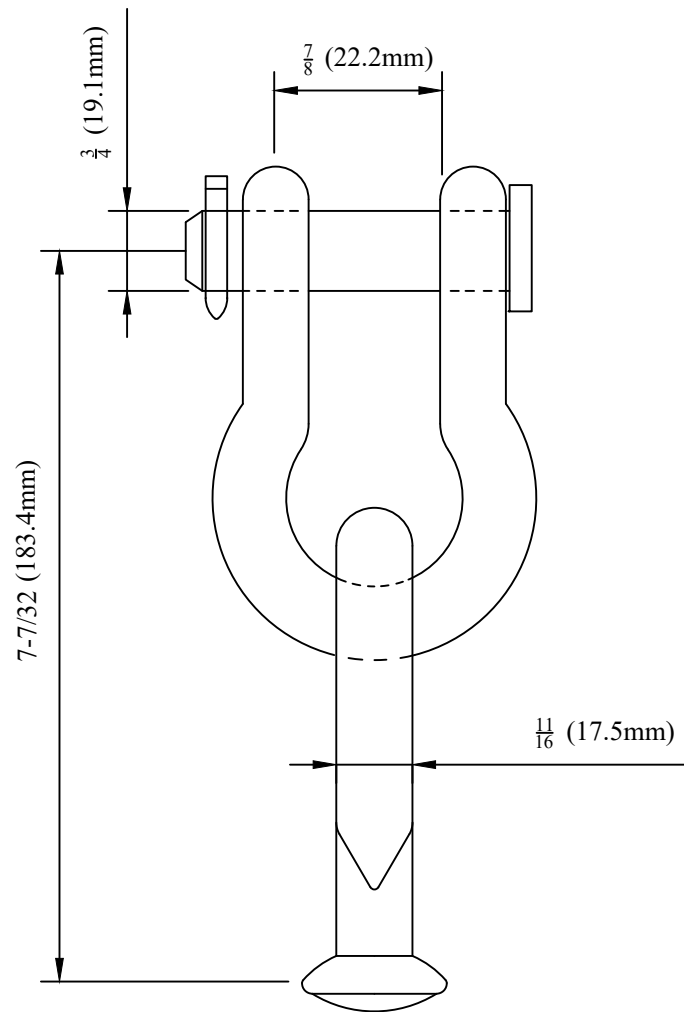


CATALOG NUMBER : 05AXCT6



BALL OVAL-EYE ANCHOR SHACKLE COMBINATIONS ARE POPULAR COMBINATIONS WHICH ARE SOLD AS ASSEMBLIES TO SAVE FIELD ASSEMBLY TIME. CONTACT FACTORY FOR OTHER PRE-ASSEMBLED COMBINATIONS.

NOTES:

1.MATERIAL: BODY – GALVANIZED STEEL

DRN BY:	DATA
Ella	10/08/16
CONFIDENTIAL THIS DRAWING AND ITS CONTENTS PROPERTY OF TIANJIN TUOFA ELECTRIC POWER TECHNOLOGY CO.,LTD. NO PUBLICATION, DISTRIBUTION OR COPIES MAY BE MADE WITHOUT THE WRITTEN CONSENT OF TIANJIN TUOFA ELECTRIC POWER TECHNOLOGY CO.,LTD. TIANJIN TUOFA ELECTRIC POWER TECHNOLOGY CO.,LTD UNPUBLISHED ALL RIGHTS RESERVED UNDER THE COPYRIGHT LAWS.	

BALL EYE / SHACKLE



TTF POWER TECHNOLOGY CO.