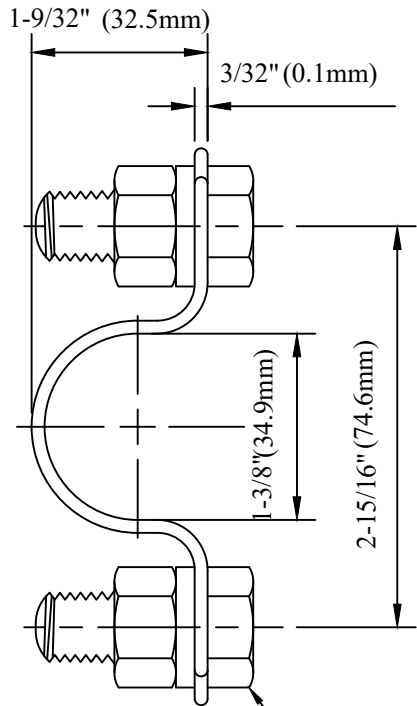
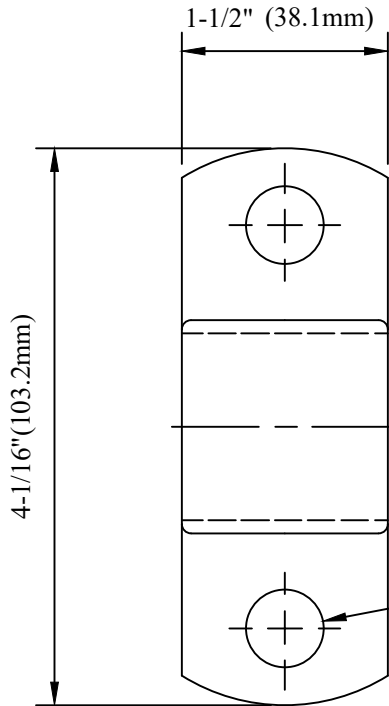


CATALOG NUMBER : 04HXCT6



1/2" X 1-1/4" BOLT
NUT, LOCKWASHER



NOTES:

1. ALL STRAP MATERIAL IS ALUMINUM. BOLTS, NUTS, AND WASHERS ARE GALVANIZED STEEL.
2. CONDUIT STRAP AVAILABLE WITH OR W/O 1/2" MOUNTING BOLTS, NUTS, AND LOCKWASHERS.

9/16" (0.6mm) HOLE

DRN BY:	DATA
Ella	10/08/16
<small>CONFIDENTIAL. THIS DRAWING AND ITS CONTENTS PROPERTY OF TIANJIN TUOFA ELECTRIC POWER TECHNOLOGY CO., LTD. NO PUBLICATION, DISTRIBUTION OR COPIES MAY BE MADE WITHOUT THE WRITTEN CONSENT OF TIANJIN TUOFA ELECTRIC POWER TECHNOLOGY CO., LTD. TIANJIN TUOFA ELECTRIC POWER TECHNOLOGY CO., LTD. UNPUBLISHED ALL RIGHTS RESERVED UNDER THE COPYRIGHT LAWS.</small>	

STRAP KIT FOR 1IN CONDUIT WITH
TWO 1/2IN X 1-1/4IN BOLTS



TTF POWER TECHNOLOGY CO.