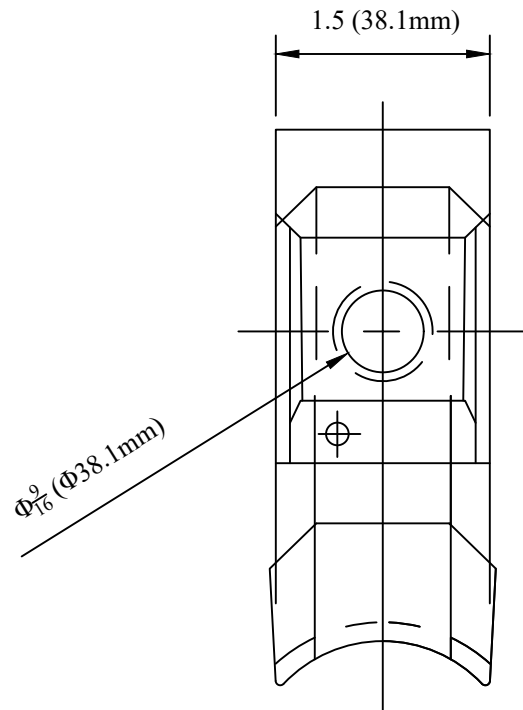
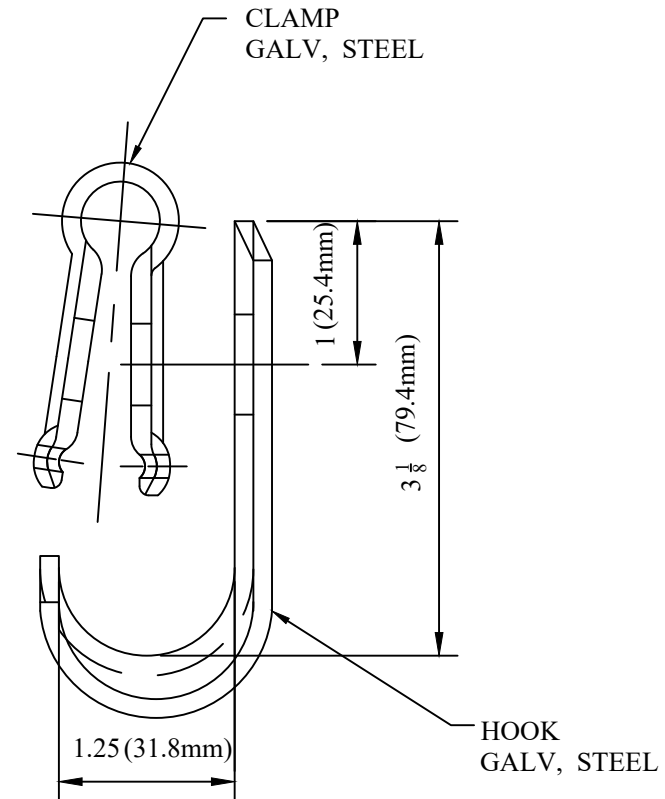


CATALOG NUMBER : 04F139F



NOTES:

1. ACCOMMODATES .109 OR .134 SOLID MESSENGER WIRE.
2. INSTALLED WITH A 1/2 " MACHINE BOLT AND TWO SQUARE NUTS, ONE NUT IS PLACED BETWEEN HOOK AND CLAMP FOR SPACING. THE OTHER IS USED TO TIGHTEN THE CLAMP MEMBER.



DRN BY:	DATA
Ella	10/08/16
<small>CONFIDENTIAL THIS DRAWING AND ITS CONTENTS PROPERTY OF TIANJIN TUOFA ELECTRIC POWER TECHNOLOGY CO.,LTD. NO PUBLICATION, DISTRIBUTION OR COPIES MAY BE MADE WITHOUT THE WRITTEN CONSENT OF TIANJIN TUOFA ELECTRIC POWER TECHNOLOGY CO.,LTD. TIANJIN TUOFA ELECTRIC POWER TECHNOLOGY CO.,LTD UNPUBLISHED ALL RIGHTS RESERVED UNDER THE COPYRIGHT LAWS.</small>	

FIGURE-8 MESSENGER HANGER, .109IN TO .134IN (7/64IN TO 9/64IN) MESSENGER CABLE SIZE



TTF POWER TECHNOLOGY CO.