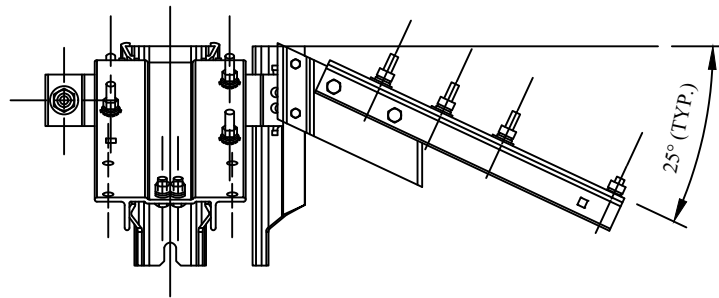
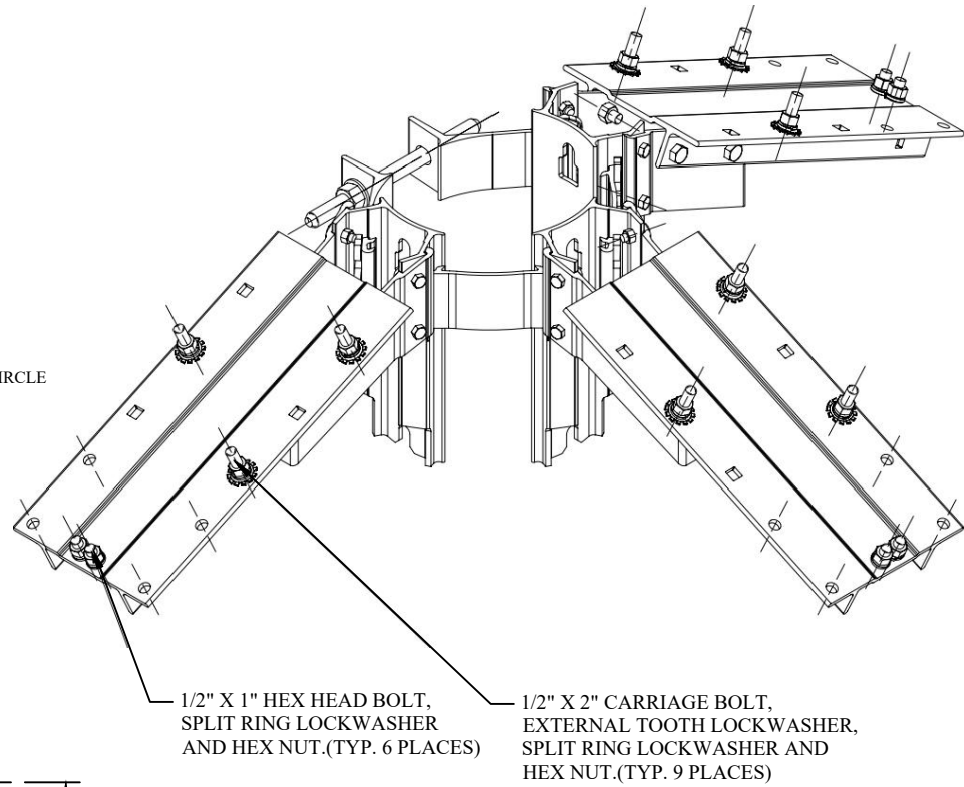
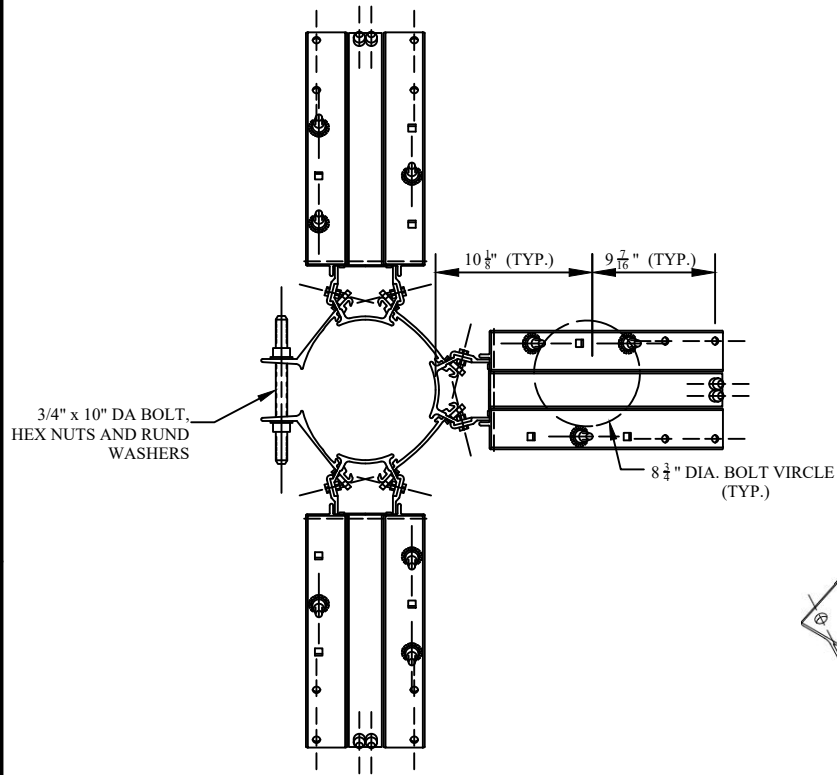


CATALOG NUMBER :04DXCT6

NOTES:  
 1.MATERIAL: ALUMINUM(MOUNT BODY)  
 GALVANIZED STEEL (HARDWARE).



DRN BY:	DATA
Ella	10/08/16
<small>CONFIDENTIAL THIS DRAWING AND ITS CONTENTS PROPERTY OF TIANJIN TUOFA ELECTRIC POWER TECHNOLOGY CO.,LTD. NO PUBLICATION, DISTRIBUTION OR COPIES MAY BE MADE WITHOUT THE WRITTEN CONSENT OF TIANJIN TUOFA ELECTRIC POWER TECHNOLOGY CO.,LTD. TIANJIN TUOFA ELECTRIC POWER TECHNOLOGY CO.,LTD UNPUBLISHED ALL RIGHTS RESERVED UNDER THE COPYRIGHT LAWS.</small>	

**BANDED, HEAVY-DUTY, ARRESTER  
 POLE BRACKET, 3 POSITION**



**TTF POWER TECHNOLOGY CO.**