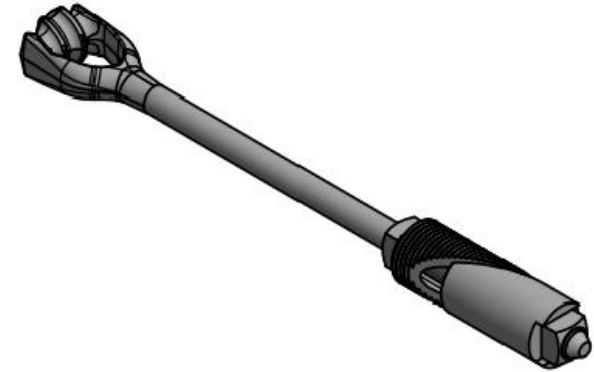
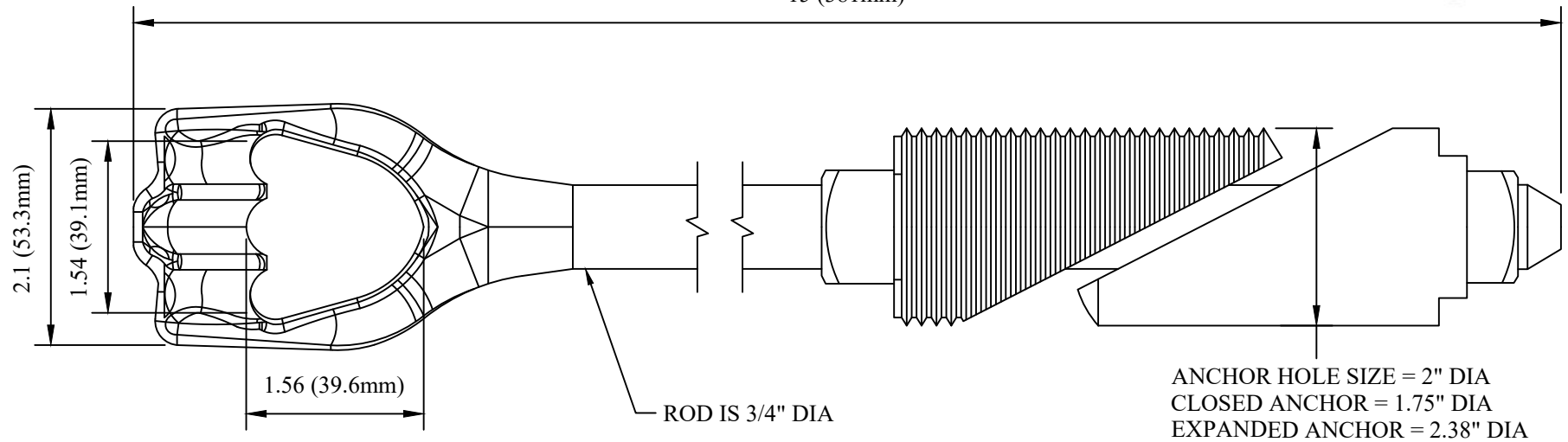


CATALOG NUMBER : 03GXCT6



15 (381mm)



ANCHOR HOLE SIZE = 2" DIA
 CLOSED ANCHOR = 1.75" DIA
 EXPANDED ANCHOR = 2.38" DIA

ULTIMATE TENSILE STRENGTH: 23,000 LBS

DRN BY:	DATA
Ella	10/08/16

ANCHOR, ROCK 1.75IN X 15IN 3/4IN ROD

CONFIDENTIAL THIS DRAWING AND ITS CONTENTS PROPERTY OF TIANJIN TUOFA ELECTRIC POWER TECHNOLOGY CO.,LTD. NO PUBLICATION, DISTRIBUTION OR COPIES MAY BE MADE WITHOUT THE WRITTEN CONSENT OF TIANJIN TUOFA ELECTRIC POWER TECHNOLOGY CO.,LTD. TIANJIN TUOFA ELECTRIC POWER TECHNOLOGY CO.,LTD UNPUBLISHED ALL RIGHTS RESERVED UNDER THE COPYRIGHT LAWS.



TTF POWER TECHNOLOGY CO.