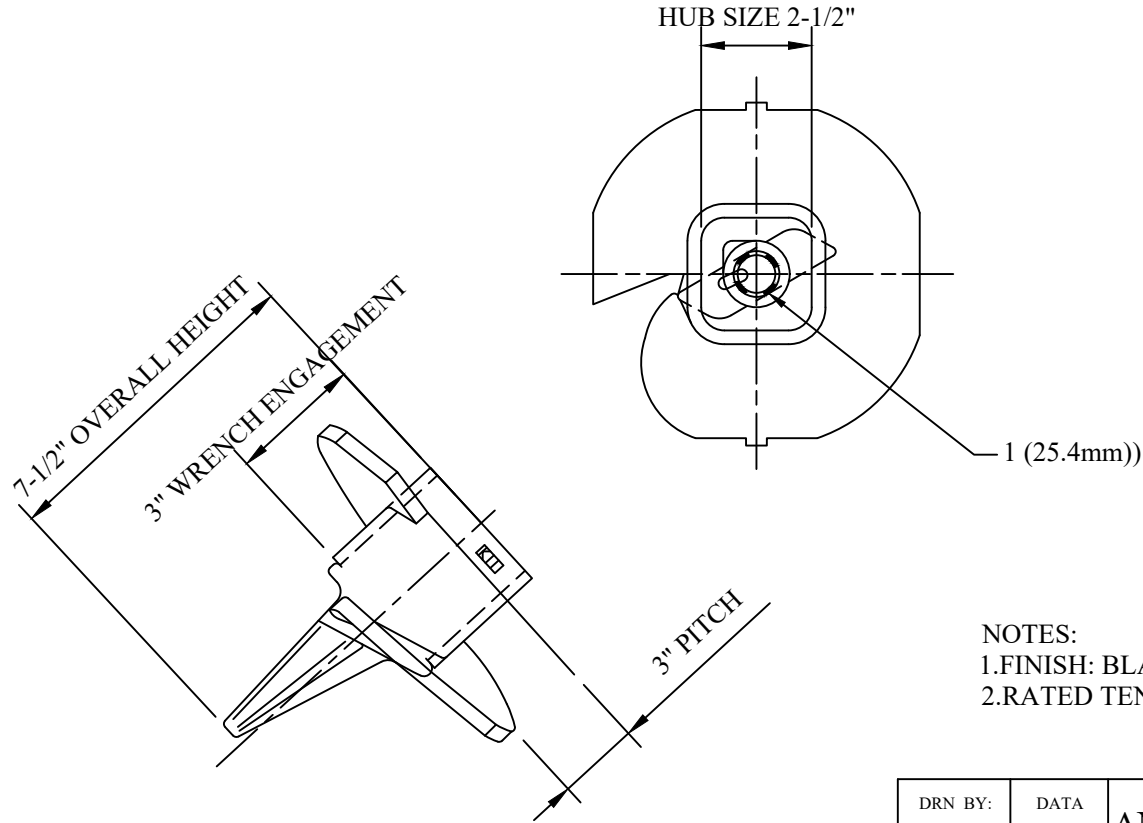


CATALOG NUMBER : 03FXCT6

SIZE	TORQUE RATING	RATED TENSILE STRENGTH(LB.)	PROJRCTED AREA(IN <sup>2</sup> )
8"	15,000	36,000 NOTE-2	45



- NOTES:  
 1. FINISH: BLACK PAINT.  
 2. RATED TENSILE STRENGTH IS BASED ON THE ROD USED.

DRN BY:	DATA
Ella	10/08/16

**ANCHOR, TOUGH ONE, 8IN, 15,000 FT-LB RATING, 2.5IN HUB, 1IN THREADS**

CONFIDENTIAL THIS DRAWING AND ITS CONTENTS PROPERTY OF TIANJIN TUOFA ELECTRIC POWER TECHNOLOGY CO.,LTD. NO PUBLICATION, DISTRIBUTION OR COPIES MAY BE MADE WITHOUT THE WRITTEN CONSENT OF TIANJIN TUOFA ELECTRIC POWER TECHNOLOGY CO.,LTD. TIANJIN TUOFA ELECTRIC POWER TECHNOLOGY CO.,LTD UNPUBLISHED ALL RIGHTS RESERVED UNDER THE COPYRIGHT LAWS.



**TTF POWER TECHNOLOGY CO.**