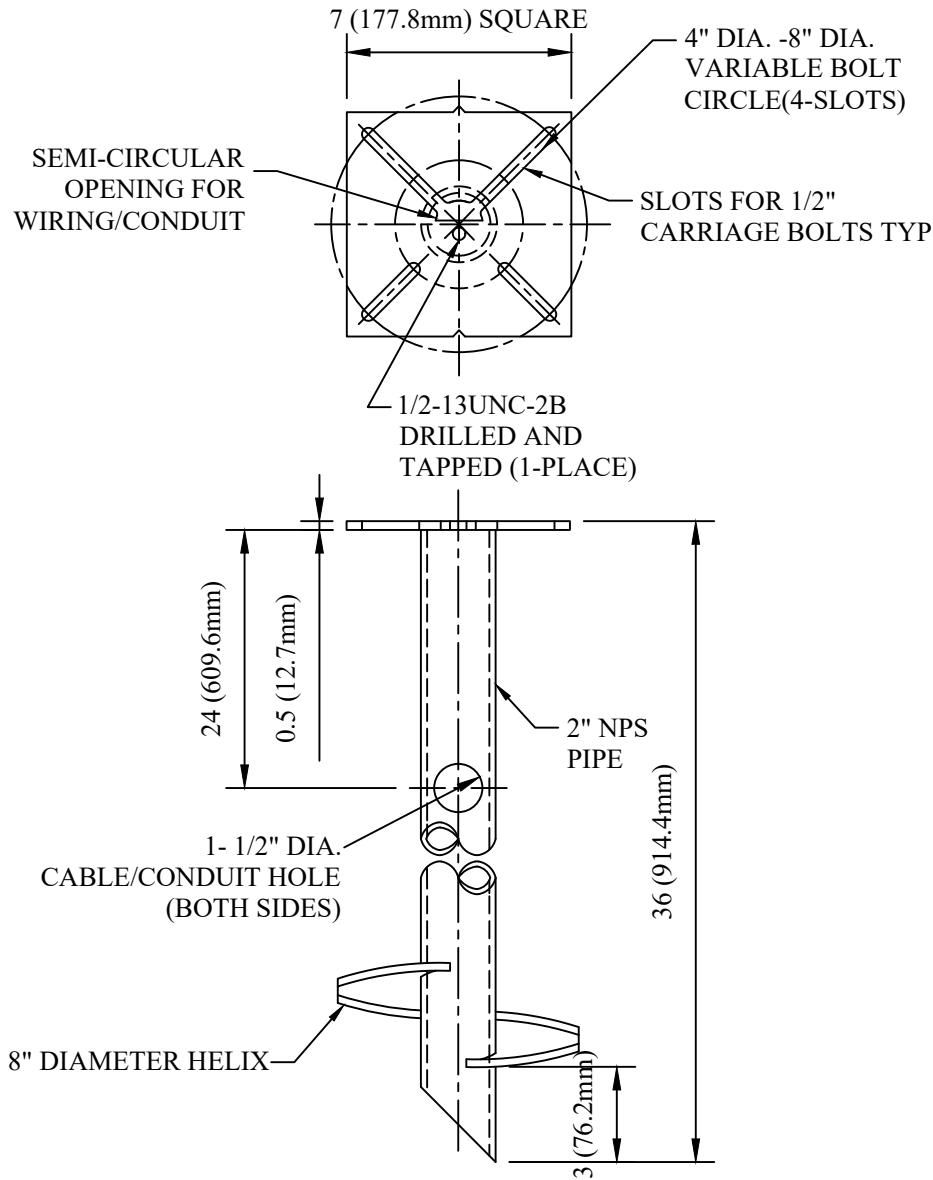


CATALOG NUMBER : 03DXCT6



NOTES:

- 1.FINISH: HOT DIP GALVANIZE PER ASTM A153(LATEST REVISION).
- 2.INCLUDES FOUR SQUARE NECK CARRIAGE BOLTS, 1/2-13UNC 2-1/4" LONG, NUTS AND WASHERS.
- 3.INSTALATION TORQUE NOT TO EXCEED 2,500 FT-LB.

DRN BY:	DATA
Ella	10/08/16
<small>CONFIDENTIAL THIS DRAWING AND ITS CONTENTS PROPERTY OF TIANJIN TUOFA ELECTRIC POWER TECHNOLOGY CO.,LTD. NO PUBLICATION, DISTRIBUTION OR COPIES MAY BE MADE WITHOUT THE WRITTEN CONSENT OF TIANJIN TUOFA ELECTRIC POWER TECHNOLOGY CO.,LTD. TIANJIN TUOFA ELECTRIC POWER TECHNOLOGY CO.,LTD UNPUBLISHED ALL RIGHTS RESERVED UNDER THE COPYRIGHT LAWS.</small>	

BOLLARD LIGHTING FOUNDATION,
2-3/8" OD X 36" LONG



TTF POWER TECHNOLOGY CO.