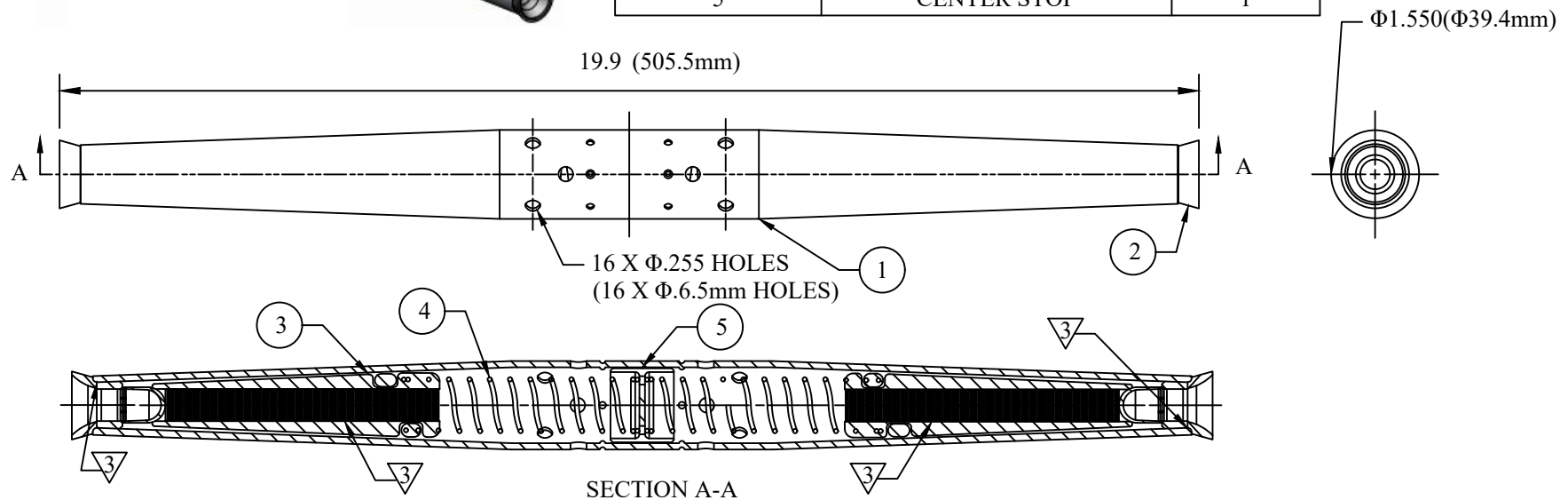


CATALOG NUMBER : 01C139F



ITEM NUMBER	DESCRIPTION	QTY.
1	GL108 TUBE - SWAGED WITH HOLES	1
2	NOSE GUIDE / PILOT CUP	2
3	JAW	2
4	SS CLOSED END SPRING	2
5	CENTER STOP	1



NOTES:

- 1.CONDUCTOR APPLICATION: FOR 3/0 ACSR, AAAC AND AAC CONDUCTORS (.450-.530 DIAMETER). THIS SPLICE CONFORMS TO ANSI C199.4 - 95% RBS MECHANICAL OF STRONGEST CONDUCTOR APPLICATION CONDUCTOR SIZE. APPLICATION CONDUCTOR SIZE. COLOR: BLACK.
- 2.PULL TESTED TO ANSI C199.4, SEQUENCE TESTED: SALT FOG TESTED TO ASTM G85, HEAT CYCLED PER ANSI C199.4, AND FAULT CURRENT TESTED.
- 3.INHIBITOR APPLIED TO JAW TEETH AND INSIDE OF TUBE.

DRN BY:	DATA
DYJ	08/08/16
<small>CONFIDENTIAL-THIS DRAWING AND ITS CONTENTS PROPERTY OF TIANJIN TUOFA ELECTRIC POWER TECHNOLOGY CO.,LTD. NO PUBLICATION, DISTRIBUTION OR COPIES MAY BE MADE WITHOUT THE WRITTEN CONSENT OF TIANJIN TUOFA ELECTRIC POWER TECHNOLOGY CO.,LTD. TIANJIN TUOFA ELECTRIC POWER TECHNOLOGY CO.,LTD UNPUBLISHED ALL RIGHTS RESERVED UNDER THE COPYRIGHT LAWS.</small>	

**AUTOMATIC SPLICE ALUMINUM
FULL TENSION**

TTF POWER TECHNOLOGY CO.