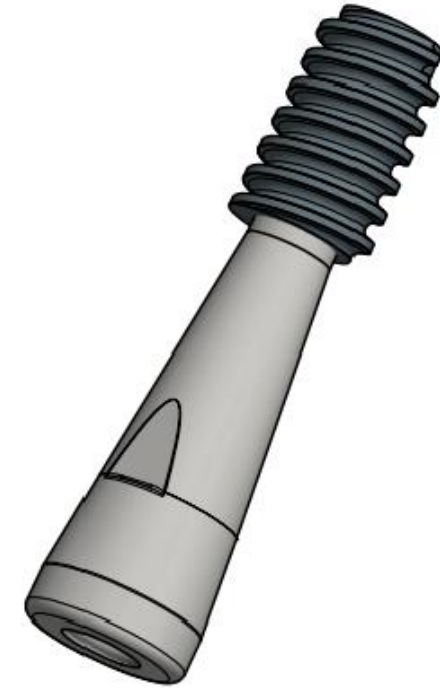
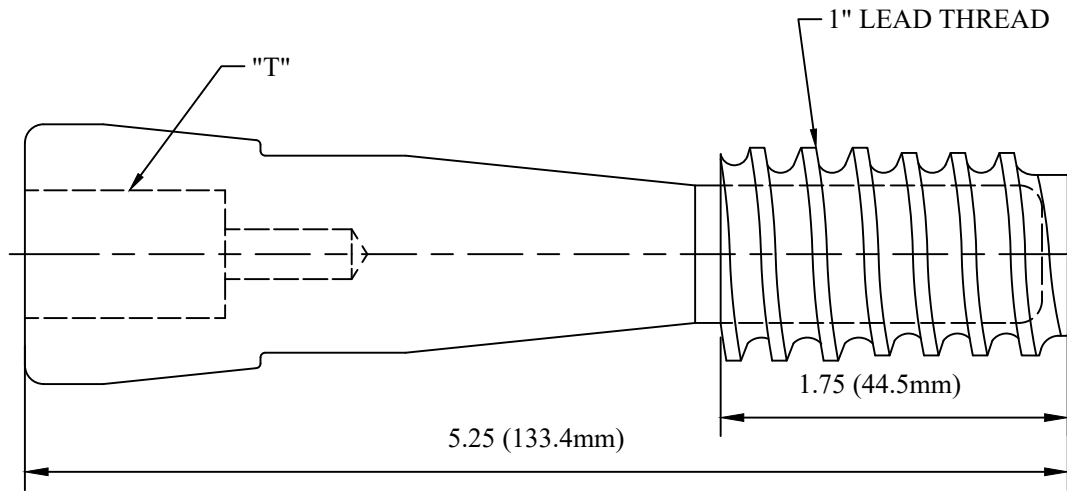


CATALOG NUMBER : 06G806Y

NOTES:

- 1.MATERIAL: STEEL
- 2.FINISH: HOT DIP GALVANIZE PER ASTM A153(LATEST REV.)



CATALOG NUMBER	DESCRIPTION	"T" THREADS
06G806Y_1	THREADED ADAPTER PIN	5/8-11 UNS-2B
06G806Y_2	THREADED ADAPTER PIN	3/4-10 UNS-2B

DRN BY:	DATA
Ella	07/09/16

CONFIDENTIAL THIS DRAWING AND ITS CONTENTS PROPERTY OF TIANJIN TUOFA ELECTRIC POWER TECHNOLOGY CO.,LTD. NO PUBLICATION, DISTRIBUTION OR COPIES MAY BE MADE WITHOUT THE WRITTEN CONSENT OF TIANJIN TUOFA ELECTRIC POWER TECHNOLOGY CO.,LTD. TIANJIN TUOFA ELECTRIC POWER TECHNOLOGY CO.,LTD UNPUBLISHED ALL RIGHTS RESERVED UNDER THE COPYRIGHT LAWS.

TRANSFORMER LEAD
INSULATOR PIN



TTF POWER TECHNOLOGY CO.