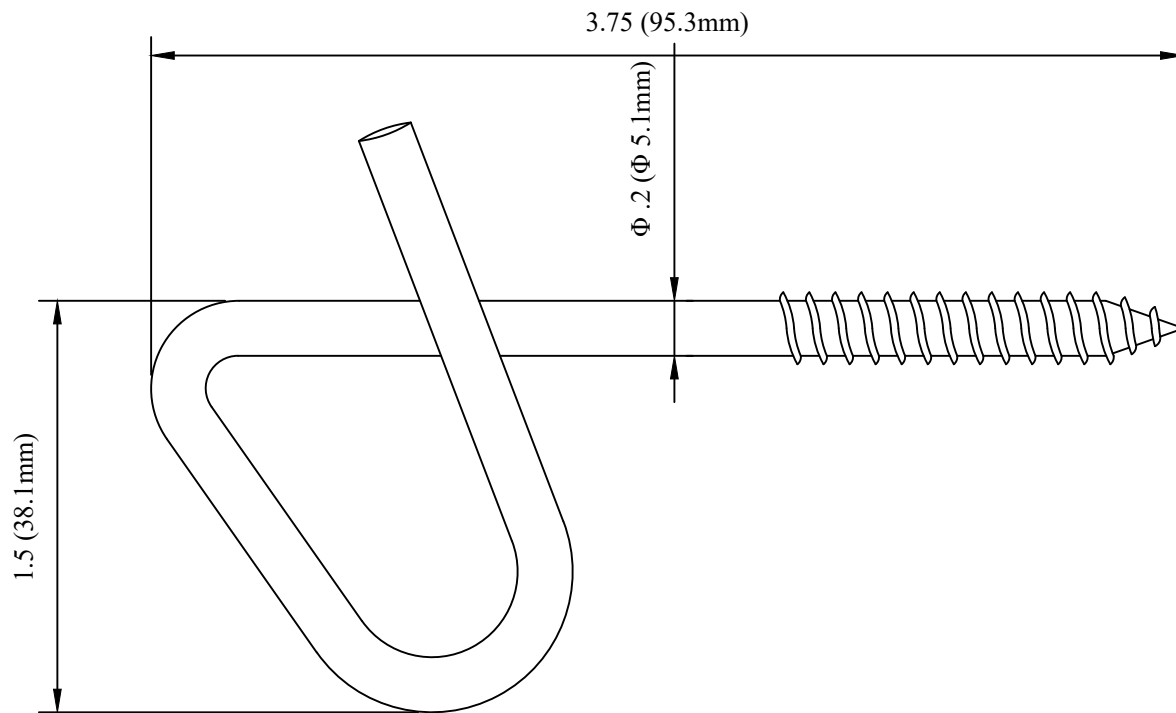


CATALOG NUMBER : 06N2C3X



- NOTES:  
1. USE TO ATTACH DROP WIRE CLAMP AT THE HOME.  
2. STEEL, MECHANICALLY GALVANIZED PER ASTM B695.  
ALT: HOT DIP GALVANIZE PER ASTM A153.

DRN BY:	DATA
Ella	07/09/16

CONFIDENTIAL THIS DRAWING AND ITS CONTENTS PROPERTY OF TIANJIN TUOFA ELECTRIC POWER TECHNOLOGY CO.,LTD. NO PUBLICATION, DISTRIBUTION OR COPIES MAY BE MADE WITHOUT THE WRITTEN CONSENT OF TIANJIN TUOFA ELECTRIC POWER TECHNOLOGY CO.,LTD. TIANJIN TUOFA ELECTRIC POWER TECHNOLOGY CO.,LTD UNPUBLISHED ALL RIGHTS RESERVED UNDER THE COPYRIGHT LAWS.

STEEL SERVICE HOOK



TTF POWER TECHNOLOGY CO.