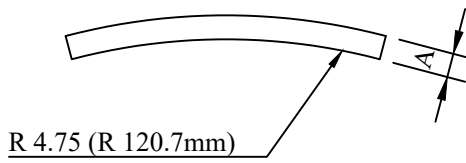
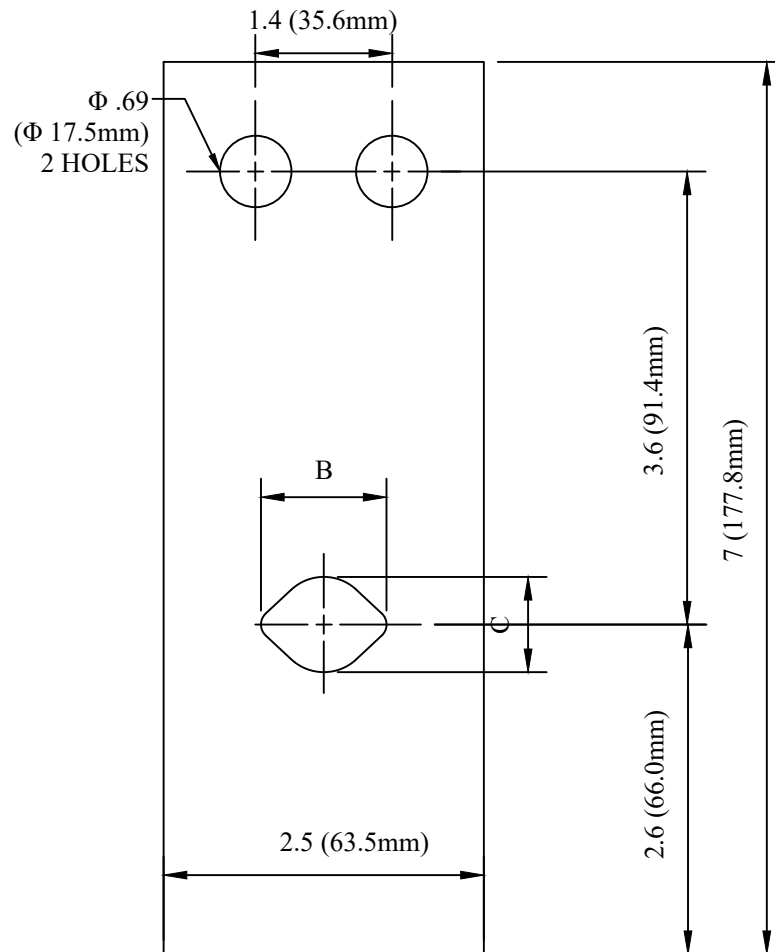


CATALOG NUMBER : 06M3A8W



NOTES:

- 1.MATERIAL: STEEL
- 2.FINISH: HOT DIP GALVANIZE PER ASTM A153(LATEST REV.)

CATALOG NUMBER	"A"	"B"	"C"
06M3A8W_1	.25 (6.4mm)	1 (25.4mm)	.88 (22.4mm)
06M3A8W_2	.19 (4.8mm)	.94 (23.9mm)	.75 (19.1mm)

DRN BY:	DATA
Ella	10/10/16
<small>CONFIDENTIAL THIS DRAWING AND ITS CONTENTS PROPERTY OF TIANJIN TUOFA ELECTRIC POWER TECHNOLOGY CO.,LTD. NO PUBLICATION, DISTRIBUTION OR COPIES MAY BE MADE WITHOUT THE WRITTEN CONSENT OF TIANJIN TUOFA ELECTRIC POWER TECHNOLOGY CO.,LTD. TIANJIN TUOFA ELECTRIC POWER TECHNOLOGY CO.,LTD UNPUBLISHED ALL RIGHTS RESERVED UNDER THE COPYRIGHT LAWS.</small>	

STEEL LIFT AND LOAD PLATE



TTF POWER TECHNOLOGY CO.