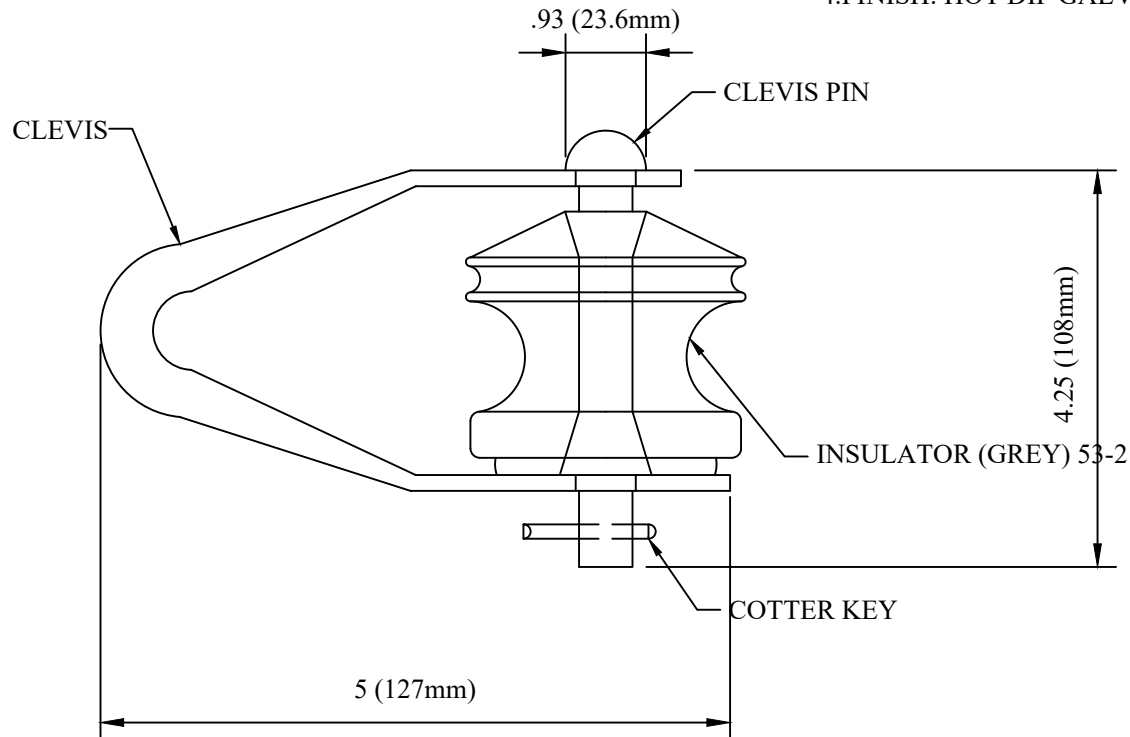


CATALOG NUMBER : 07E9C7D

NOTES:

- 1.INSULATOR AND CLEVIS INCLUDED
- 2.INSULATOR MEETS ANSI C29.3
- 3.MATERIAL: H.R STEEL.
- 4.FINISH: HOT DIP GALVANIZE PER ASTM A153(LATEST REV.)



DRN BY:	DATA
Ella	07/09/16

STEEL INSULATED SECONDARY CLEVIS,
WEIGHT: 2.7 LB

CONFIDENTIAL THIS DRAWING AND ITS CONTENTS PROPERTY OF TIANJIN TUOFA ELECTRIC POWER TECHNOLOGY CO.,LTD. NO PUBLICATION, DISTRIBUTION OR COPIES MAY BE MADE WITHOUT THE WRITTEN CONSENT OF TIANJIN TUOFA ELECTRIC POWER TECHNOLOGY CO.,LTD. TIANJIN TUOFA ELECTRIC POWER TECHNOLOGY CO.,LTD UNPUBLISHED ALL RIGHTS RESERVED UNDER THE COPYRIGHT LAWS.



TTF POWER TECHNOLOGY CO.