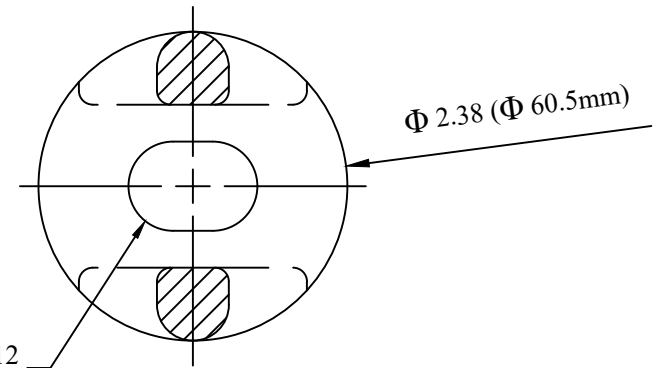
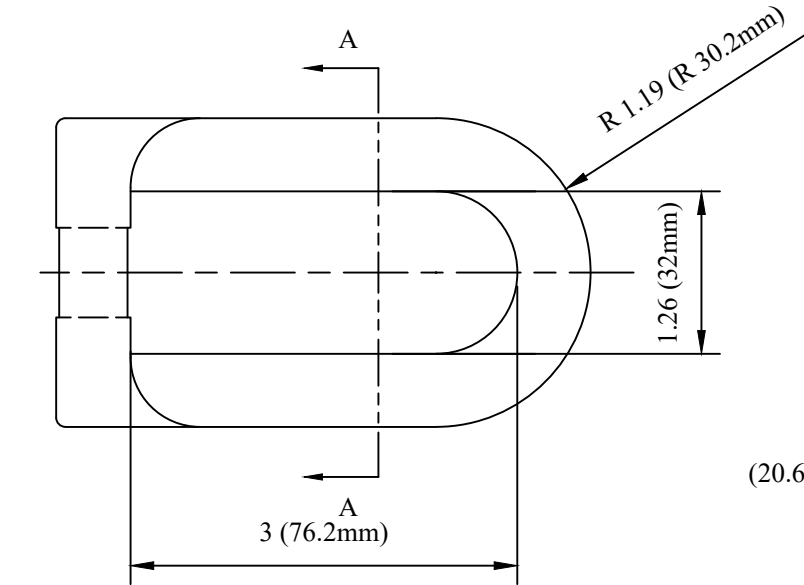
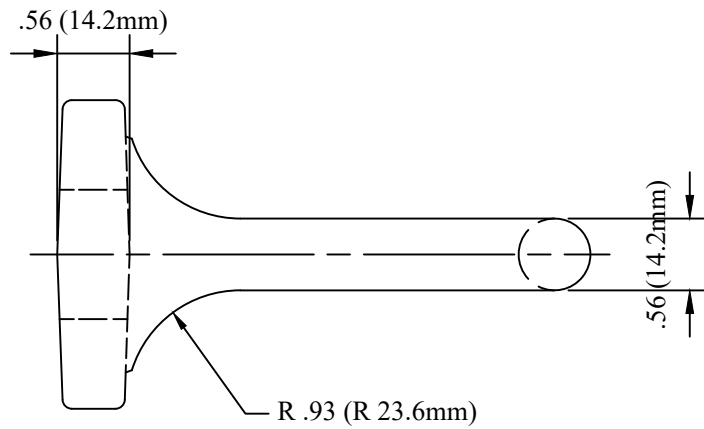


CATALOG NUMBER : 09B6D3J



.81 X 1.12  
(20.6mm X 28.4mm)  
SLOT



NOTES:

1. MATERIAL: FORGED STEEL.
2. FINISH: HOT DIP GALVANIZE PER ASTM A153(LATEST REV.)

DRN BY:	DATA
Ella	07/09/16
<small>CONFIDENTIAL. THIS DRAWING AND ITS CONTENTS PROPERTY OF TIANJIN TUOFA ELECTRIC POWER TECHNOLOGY CO., LTD. NO PUBLICATION, DISTRIBUTION OR COPIES MAY BE MADE WITHOUT THE WRITTEN CONSENT OF TIANJIN TUOFA ELECTRIC POWER TECHNOLOGY CO., LTD. TIANJIN TUOFA ELECTRIC POWER TECHNOLOGY CO., LTD. UNPUBLISHED ALL RIGHTS RESERVED UNDER THE COPYRIGHT LAWS.</small>	

STEEL EYELET,  
WEIGHT: 1.1 LB



TTF POWER TECHNOLOGY CO.