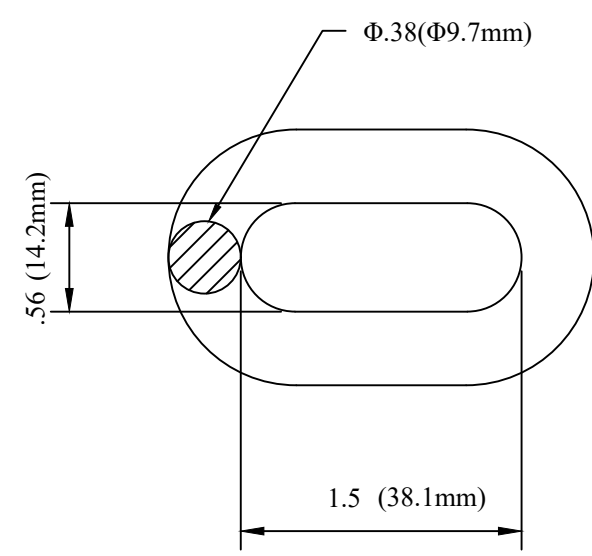
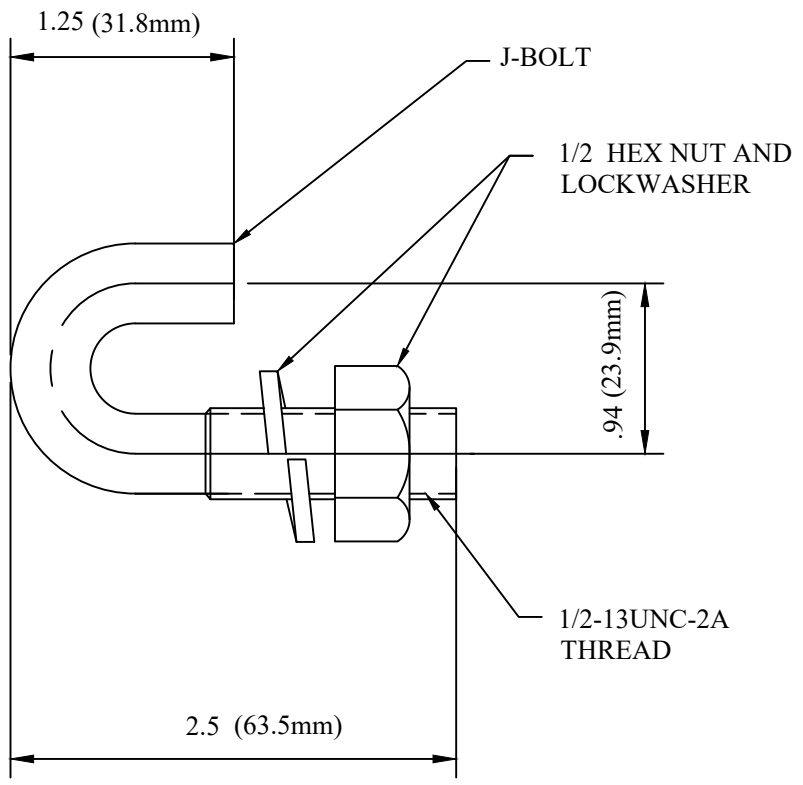


CATALOG NUMBER : 03A5D8E

NOTES:  
1.MATERIAL: STEEL, HOT DIP GALVANIZE  
PER ASTM A153(LATEST REVISION)



DRN BY:	DATA
Ella	07/09/16
CONFIDENTIAL THIS DRAWING AND ITS CONTENTS PROPERTY OF TIANJIN TUOFA ELECTRIC POWER TECHNOLOGY CO.,LTD. NO PUBLICATION, DISTRIBUTION OR COPIES MAY BE MADE WITHOUT THE WRITTEN CONSENT OF TIANJIN TUOFA ELECTRIC POWER TECHNOLOGY CO.,LTD. TIANJIN TUOFA ELECTRIC POWER TECHNOLOGY CO.,LTD UNPUBLISHED ALL RIGHTS RESERVED UNDER THE COPYRIGHT LAWS.	

STEEL CLAMP FOR ATTACHING STATIC AND SHIELD WIRES TO BAYONETS

